



The design and sensitivity of JUNO's scintillator radiopurity pre-detector OSIRIS

JUNO Collaboration

Received: 1 April 2021 / Accepted: 10 August 2021
© The Author(s) 2021

Abstract The OSIRIS detector is a subsystem of the liquid scintillator filling chain of the JUNO reactor neutrino experiment. Its purpose is to validate the radiopurity of the scintillator to assure that all components of the JUNO scintillator system work to specifications and only neutrino-grade scintillator is filled into the JUNO Central Detector. The aspired sensitivity level of 10^{-16} g/g of ^{238}U and ^{232}Th requires a large ($\sim 20\text{ m}^3$) detection volume and ultralow background levels. The present paper reports on the design and major components of the OSIRIS detector, the detector simulation as well as the measuring strategies foreseen and the sensitivity levels to U/Th that can be reached in this setup.

1 Introduction

The Jiangmen Underground Neutrino Observatory (JUNO) [1] is a dedicated experiment to measure the neutrino mass hierarchy. JUNO will observe electron antineutrinos emitted by several nuclear reactor cores at a distance of ~ 53 km with a 20 kiloton liquid scintillator (LS) detector. In such a measurement shielding against external radiation and careful selection of radiopure detector materials play a crucial role. Radioactivity in LS may result in events mimicking the inverse beta decay (IBD) coincidence signals of electron antineutrinos or cause pile-up to the single events distorting the energy scale, both having direct impact on the sensitivity of the neutrino mass hierarchy measurement. Requirements are even more demanding for other physics objectives, especially solar neutrino detection. This is why the collaboration has set stringent upper limits on the contamination level of the LS with uranium and thorium chain isotopes: $\leq 10^{-15}$ g/g for the IBD-based physics program (*IBD-level*) and $\leq 10^{-16\div 17}$ g/g for solar neutrino detection (*solar-level*) (Table 5). The rationale for the contamination limits is described in Ref. [1].

To achieve these radiopurity requirements an extensive purification program needs to be performed on the LS before filling the JUNO detector. This requires to set up a chain

of specialized purification plants at the JUNO experimental site: column chromatography in alumina, distillation, water extraction and steam stripping. As the last stage in this purification chain, the Online Scintillator Internal Radioactivity Investigation System (OSIRIS) will serve as a stand-alone detector to verify the efficiency of the upstream purification plants and to monitor the radiopurity of the product LS during the filling of the JUNO Central Detector.

The OSIRIS setup has been optimized for the purpose to detect the residuals of natural U/Th contamination of the LS. It will hold a 18-ton sample of LS enclosed in an Acrylic Vessel (AV) for screening, surrounded by an extensive water shield. The search is based on the fast coincidence decays of ^{214}Bi , ^{214}Po and ^{212}Bi - ^{212}Po present in the decay chains of U and Th, respectively. The design of OSIRIS permits two operation modes: *batch mode* and *continuous mode*. In *batch mode*, a single 18-ton sample of LS will be monitored over several days or weeks. It is the preferred mode of operation for the commissioning phase of the JUNO purification chain since it allows a precise determination of scintillator quality and purification efficiency, reaching down to *solar-level* radiopurity. Instead, the *continuous mode* will be implemented during the JUNO filling phase since the constant exchange of LS in the AV will permit uninterrupted monitoring and warning capability in case of a malfunction of the purification systems. The corresponding sensitivity is reduced compared to the *batch mode* but will approach *IBD-level*.

The purpose of the present paper is to provide an over-view both of the design and the resulting sensitivity of the OSIRIS detector setup. We first provide an overview of the main components of the OSIRIS detector setup (Sect. 2) before we go into a more detailed description of the experimental subsystems and foreseen operation modes of OSIRIS (Sect. 3). We present as well the detailed Geant4-based detector simulation that has been used to optimize the detector design and will serve for the preparation of the OSIRIS analysis (Sect. 4). Finally, the resulting sensitivities for U/Th screen-

^ae-mail: Juno_pub_comm@juno.ihep.ac.cn

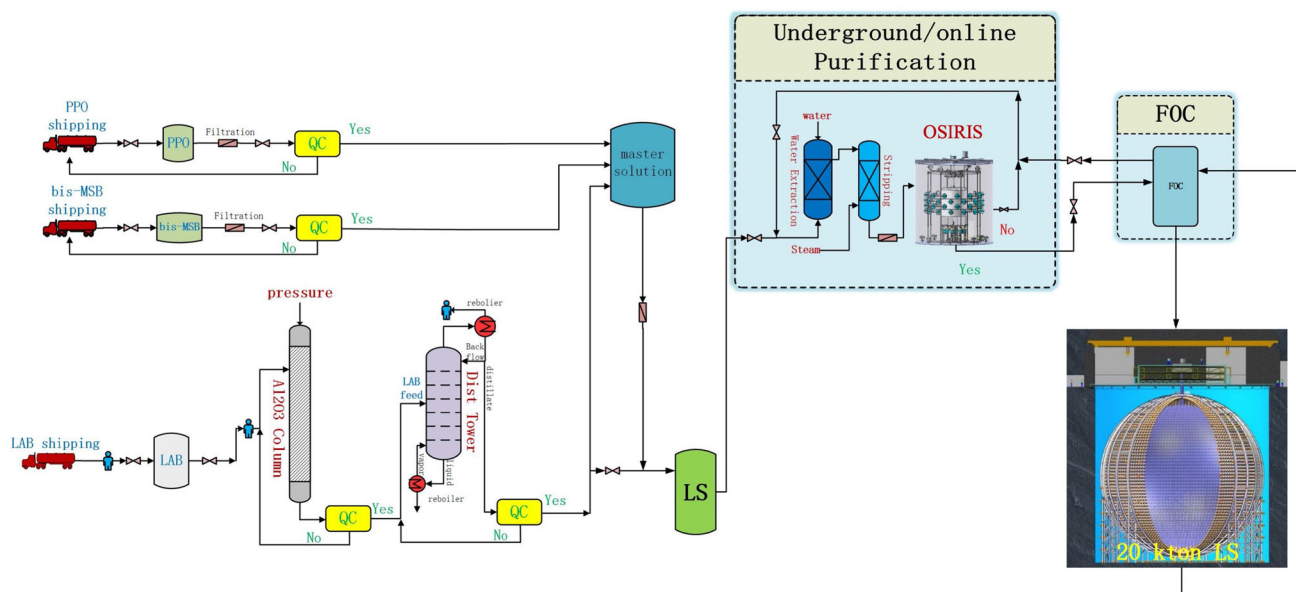


Fig. 1 Layout of the JUNO scintillator system including four purification stages (Al_2O_3 column, distillation, water extraction, steam stripping) as well as storage and mixing tanks. OSIRIS is located as the last

stage in the filling line to monitor the product radiopurity. From there, the LS will be passed on to the JUNO filling system (FOC)

ing as well as detecting contaminants from ^{85}Kr , ^{14}C and ^{210}Po are reported in Sect. 5.

2 Design overview

The JUNO scintillator is based on linear alkylbenzene (LAB) produced by Nanjing company (product: *special LAB*). The primary fluor is 2,5-diphenyloxazole (PPO) added at a concentration of 2.5 g/l, with p-bis-(o-methylstyryl)-benzene (Bis-MSB) as wavelength shifter at 3 mg/l [2]. The expected scintillator performance is reported in Sect. 4. These components are mixed and purified on-site in a chain of purification plants (Fig. 1). These systems are mounted both on the surface and below the ground, connected by a ~ 1 km long pipeline. On the surface, the quality of the purified LAB is controlled by measuring the optical transparency. In contrast, the OSIRIS setup forms the last stage of the JUNO purification chain, monitoring the final product scintillator after passing the entire mixing and purification chain. The detector will be located in the rear of the Liquid Scintillator Hall of the JUNO underground laboratory, i.e. in close proximity to the Water Extraction and Steam Stripping purification plants. An isometric view as well as the Scintillator Hall layout plan can be found in Appendix A. Given the underground conditions, the footprint and the height of the OSIRIS facility are limited. On the other hand, the detector will benefit from about 700 m of rock shielding, a crucial prerequisite to reach sufficiently low background levels for its measurement program.

The detector dimensions are outlined by the outer Water Tank that features about 9.4 m diameter and height. A simplified depiction of the interior is shown in Fig. 2. The setup is logically divided into an Inner Detector (ID) containing the LS volume and surrounding PMTs and an Outer Detector (OD) equipped with few PMTs and utilizing the water shielding as a Cherenkov muon veto. They are physically delimited by the Steel Frame and the attached Optical Separation.

Scintillator target Similarly to the Borexino Counting Test Facility (CTF) design [3], the LS batch to be tested is contained in a transparent vessel with an inner volume of 21 m^3 (18 tons of LS), located in the center of the setup. Given the considerably larger LS volume, counting statistics are accumulated faster than in the case of CTF (4.8 m^3), allowing for a shorter average measuring time. This inner counting volume is surrounded by a water buffer for shielding, separated from the LS by the Acrylic Vessel.

Acrylic vessel (AV) The cylindrical vessel of 3 m height and diameter holds the LS at the center of the detector. An acrylic wall thickness of 3 cm and external stiffeners provide sufficient sturdiness for the frequent filling and LS exchange operations. The vessel is held in place by eight vertical acrylic plates of 1 m height, which are in turn mounted on the inner Steel Frame of 2 m height (Sect. 3.2).

Steel Frame (SF) The octagonal frame consists of rectangular stainless steel profiles. It reaches a height of 8 m and a diameter of 7 m (Sect. 3.1). While its inner section supports

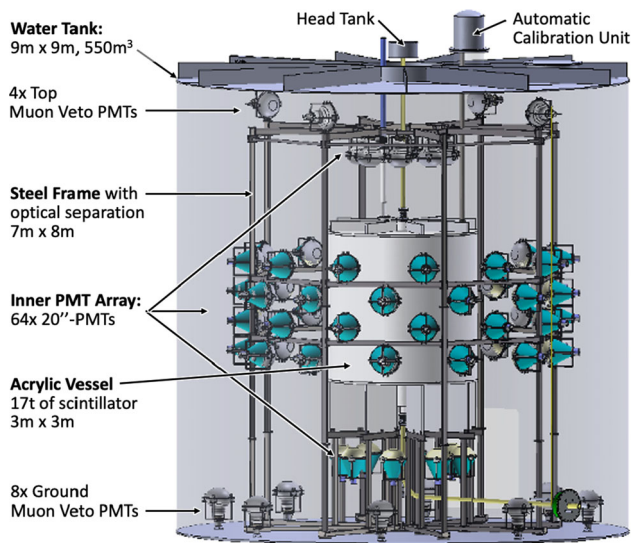


Fig. 2 Layout of the OSIRIS detector. The detector is segregated into the Inner Detector (ID) that is formed by the LS volume and the inner PMT array and the Outer Detector (OD) that uses the shielding water as a Cherenkov muon veto

the AV, the outer section holds the photomultipliers, calibration and sensor systems as well as the black-and-white PET sheets constituting the Optical Separation between ID and OD.

Inner PMT Array The scintillation light produced by events inside the LS volume is recorded by 64 20''-Hamamatsu PMTs mounted to the SF and facing inwards. For shielding the γ -rays emitted from PMT glass, the tubes are placed at a distance of 1.3 m from the AV surface (i.e. roughly 2.8 m from the detector center). Tubes are equipped with an electromagnetic shielding in shape of a cone and extending in front of the photocathode (Fig. 7). Although the shape of the shielding cones are optimized for the background condition, it also provides a slight increase in light collection. This configuration corresponds to a photoactive coverage of $\sim 9\%$ of the full solid angle, translating to a photoelectron (p.e.) yield of ~ 280 p.e./MeV. OSIRIS will use a novel intelligent PMT design that permits digitization of the signals directly at the PMT base (Sect. 3.4).

Water Tank (WT) The cylindrical WT holds a volume 9 m in height and diameter, offering a 4π shielding of ≥ 3 m of water from external gamma rays emitted by the cavern rock of the Scintillator Hall. The residual γ -flux has been determined to be sufficiently low for an effective Bi–Po coincidence search (Sects. 4, 5). The tank is made from bolted carbon steel plates. They are protected from contact with the ultrapure water by a 3 mm thick HDPE liner to prevent corrosion. The tank features several flanges and feed-throughs for pipes and cabling (Sect. 3.1).

Muon Veto Cosmic muons, secondary neutrons and radioactive isotopes created in spallation processes feature a finite probability to mimic the fast coincidence signals of the Bi–Po decays. Thus, a secondary array of 12 20''-PMTs watches the volume between SF and tank walls, using the ultrapure water as a Cherenkov radiator for crossing muons. To enhance light collection a layer of Tyvek is fastened to the WT walls. Moreover, the white outer surfaces of the Optical Separation enhance light reflection (Sect. 3.6).

Calibration systems In order to interpret the acquired data, picosecond laser pulses will be inserted into the detector by a system of optical fibers with the emission points mounted to the SF. Moreover, an Automatic Calibration Unit (ACU) [4] refurbished from the Daya Bay experiment is connected to the AV via a steel pipe in order to lower radioactive sources and an LED directly into the LS volume to calibrate the detector response. Source positions can be cross-checked using a CCD system mounted to the SF (Sect. 3.5).

Liquid Handling System (LHS) The relative fragility of the AV and different operation modes envisaged for the JUNO commissioning and filling phases requires a sophisticated system to handle the LS and water in AV and tank. In order to support the formation of temperature stratification levels of the LS in the AV, a constant flow of warm LS inserted to the top of the AV is countered by an upflow of cooler water on the outside of the AV. A head tank is located above the AV to equalize hydrostatic pressure between AV LS and WT water. A gas handling system provides buffers of ultrapure nitrogen gas to both volumes at a slight overpressure to prevent contamination of the liquids with environmental radon (Sect. 3.3).

3 Detector components

3.1 Mechanical design

The basic dimensions of the OSIRIS facility are governed by the requirements of the Bi–Po coincidence search. Here, we describe the conceptual design of the basic mechanical components. The outer dimensions of the setup are given by the Water Tank (WT). The WT holds the water buffer required to shield the LS volume from external radioactivity and serves as a Cherenkov radiator for the Outer Detector (Sect. 3.6). In its center, the LS batch under investigation will be contained in the transparent Acrylic Vessel (AV) described in Sect. 3.2. The AV is held in place and surrounded by the Steel Frame (SF) that also serves as the support for the PMTs and calibration systems discussed in later sections.

3.1.1 Water tank

Overall dimensions The outer water tank is assembled from flat and curved carbon steel elements (Q235A/SS400) that are connected by bolts. The parts have been already pre-fabricated by the Chinese company Jiujiang. The tank consists of 3 bottom, 12 wall and 3 roof elements. The steel sheets themselves are 4–8 mm in thickness, but perpendicular stiffeners are attached to all pieces in order to provide the required mechanical stability. Stiffeners running around the perimeter of the tank are 200 mm height. The thickest stiffeners of 500 mm in height are included at the top to bear the additional weight by the top installations (see below). While the inner water volume is designed to be 9 m height and diameter, the outer dimensions are about 9.6 m in height and 9.4 m in diameter. The overall layout is displayed in the left panel of Fig. 3.

Internal Liner In order to prevent corrosion of the tank structure due to direct contact of the carbon steel with the ultrapure water, all inner tank surfaces are covered by a 3 mm strong HDPE liner (Geotech Lining Corporation). Individual pieces are heat-welded together, providing both liquid and gas tightness (see below). Fastening of the flexible liner elements on the walls is achieved by steel battens. Special care has to be given at the interfaces: Flanges are covered by individually preformed HDPE elements, and the closing blind flanges are made from stainless steel. The basic color of the liner is black but highly reflective Tyvek sheets are heat-welded to most surfaces to increase light collection in the Outer Detector.

Interfaces The WT requires both inside interfaces for mechanical installations and feed-throughs to the surroundings. Internally, a total of 25 ground anchor plates permits the mounting of the SF and the ground muon veto PMTs. The interfaces offered to the inside water are stainless steel discs from 200 to 890 mm diameter with thread patterns for mounting the SF and veto PMTs and circumferential seams to seal the HDPE liner for water tightness. Smaller pieces (like thermometers) that are mounted on the tank walls will be held in place by welded-on HDPE holders. A selection of flanges in the tank roof provides interfaces to the outside: a 1-m diameter Central Flange supports the Head Tank and piping for filling of the AV; the neighbouring Calibration Flange of 70 cm diameter holds the ACU; two 40 cm diameter flanges provide the feed-throughs for all internal cables by crimp connectors; a 50 cm flange is used for tank ventilation during the construction phase. One inlet and three outlet pipes on the top of the tank permit to establish a nitrogen blanket above the water. Access to the tank during operation is possible via a 1 m-diameter Man Hole. During construction, additional access is provided by a removable panel element (1 m × 1.5 m) at the ground level. In addition, there is a Side Flange that is used both for the water operations in the outer tank volume and the draining of the AV.

Top installations The WT roof has been strengthened to bear the weight of several on-top structures. The Top Clean Room (TCR) with a footprint of 5 m × 3.5 m protects the Central Flange, Calibration Flange, and Man Hole as well as holds several LS and gas systems that are part of the LHS (Sect. 3.3). It is also equipped with a small pre-room (2.5 m × 1.5 m) for the access of personnel and equipment. Next to the TCR, an open platform of 5 m × 3 m area supported by aluminum grids will hold the electronics required for iPMT read-out as well as the detector DAQ and slow control (Sects. 3.4, 3.7). A spiral staircase has been added to the side of the WT for access to the tank roof during construction and operation. While heavier items required for the construction and installation phases are moved by a central hall crane, lighter items (<375 kg) are lifted by a dedicated crane trolley running on a 3-m long I-beam suspended from the hall roof.

Other design requirements The WT acts as the most important barrier to shield the LS in the AV from potential impurities of the surroundings. During the OSIRIS construction phase, an effective clean room of class 10,000 (ISO7) will be established in the interior. The gas tightness that is to be maintained during detector operation is on the level of 10^{-4} mbar·l/s in order to prevent external radon from migrating into the water buffer. This is achieved with Viton-A, Kalrez and PTFE O-rings in the flanges, crimp connectors for the cable feed-throughs and the HDPE liner that covers potential gaps between the steel elements. In addition, a slight overpressure of +5 mbar is maintained in the nitrogen buffer relative to the surroundings.

In accordance with the filling specifications of the JUNO main detector, the interior of the tank is to be kept at a temperature of 21 °C. This is about 10 °C lower than the temperature of the rock on which the WT is resting. To maintain this temperature difference, two layers of passive heat insulation materials (flexible elastomeric foam and polyisocyanurate foam) are added below the tank. In addition, cool water is inserted through a star-shaped pipe system on the ground of the WT to compensate for any heat permeating the insulation layers.

Additional shielding against external gamma rays has been added below the insulating layers. The shielding consists of three layers of carbon steel plates embedded in the concrete floor below the tank. The maximum strength below the detector center is 14 cm, the dimension of the lower-most steel layer 5.5 m × 5.5 m. The additional material reduces the rock-induced external background entering from below by two orders of magnitude.

3.1.2 Steel frame

The steel frame (SF) serves two primary functions. The inner part below the AV supports the vessel when both WT and AV are empty but also balances buoyancy forces in the filled

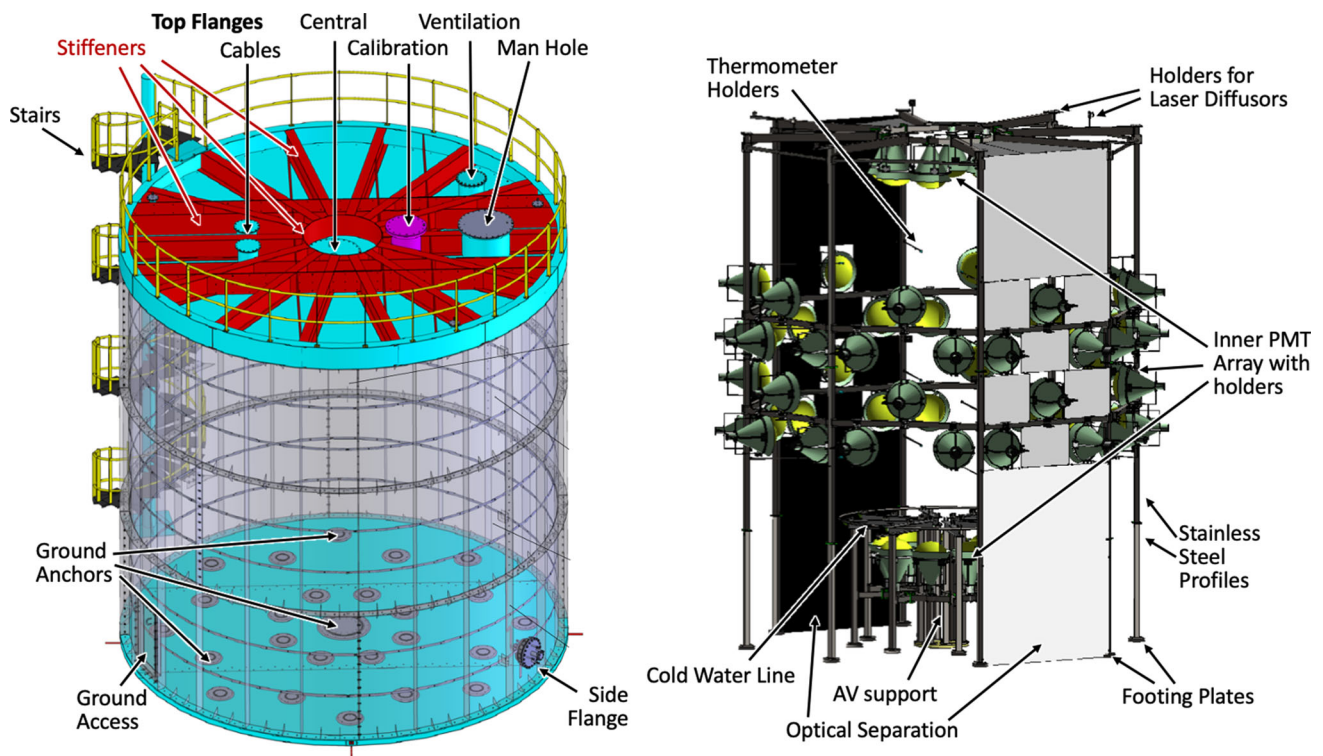


Fig. 3 Main elements of the OSIRIS water tank and steel frame

configuration. It has an octagonal structure with an outer diameter of 3 m and a height of 2 m, placing the LS volume right at the center of the WT and providing support for eight upward-facing inner PMTs. The outer part supports most PMTs, the laser calibration system and other sensors, and serves as separation between Inner and Outer Detectors. The latter is an octagonal structure with a height of 8.1 m, side length of 2.4 m, and a maximum diameter of 5.8 m. The layout of the overall structure is depicted in the right panel of Fig. 3. The eight vertical profile sections are joined together by two rings of horizontal profiles at medium height (to mount four rings of twelve PMTs each) as well as a star and ring structure at the top that supports the 8 downward-facing inner PMTs as well as the four top muon veto PMTs. The frame will be manufactured by a Chinese company Jiujiang.

Steel profiles Both subsections of the SF are assembled from stainless steel (SUS316L, 1.4404) hollow profiles of 80 mm edge length, 4 mm wall thickness, and up to 3.45 m in bar length. Most are terminated on both ends by quadratic or rectangular plates with bore holes through which adjacent elements can be joined by M12 screws and nuts. The lowest elements provide larger footing plates to provide additional stability to the connection to the WT anchor plates. All surfaces are mechanically polished to a roughness of $0.4 \mu\text{m}$ in order to limit radon emanation and to prevent corrosion in the ultrapure water. Moreover, the U/Th content of the steel has been specified to be below 10 ppb.

Adapters Most of the installations attached to the SF require additional holding or adapter elements that provide for correct mounting and orientation: the PMTs, the diffusers of the fiber calibration system, the inner thermometer array, and the circular pipe that is mounted at the upper edge of the inner SF to provide an outflow of cool water along the surface of the AV. All these adapter parts will be made from electro-polished stainless steel (SUS316L or SUS316Ti) and fastened to steel bolts welded directly onto the frame profiles.

Optical separation The water volume is divided into two optically separated regimes by an array of thin PET sheets ($200 \mu\text{m}$) black on the inside and white on the outside (see Sect. 3.6). The sheets are spanned in the interspaces between the steel profiles, providing a widespread but not complete optical separation of the two subvolumes. The allocation is depicted in Fig. 3. While large elements cover the lower and upper sections of the octagon sides, the middle section displays a chessboard pattern of small rectangular sheets and gaps for the PMTs. Several steel strings are spanned around the outer perimeter to provide additional fastening points. The PET sheets are folded-in several times at the edges and then fixed by stainless steel clamps. These are either attached to the strings or welded directly onto SF profiles. The horizontal PET sheets on the top of the frame will be mounted with a slight inclination to prevent trapping of air bubbles during the initial water filling of the WT.

3.2 Acrylic vessel

The container to hold and separate the LS from the surrounding water buffer has to be transparent, low in radioactivity, and sufficiently sturdy to permit continuous filling and exchange operations. Therefore, the LS vessel is made of acrylics that is a well-proven material applied in many LS neutrino and some dark matter detectors and is used as well for the JUNO main detector.

To provide good transmission of the scintillation photons, UV-transparent acrylics will be used. The specification for light absorption in the 30 mm strong acrylic panels (see below) is set to $\leq 4\%$ at 420–430 nm, i.e. the wavelength range matching the Bis-MSB emission.

3.2.1 Mechanical design

Bulk Dimensions With an inner diameter of 3 meters and a height of 3 meters, the AV will hold a volume of 21 m^3 , corresponding to ~ 18 tons of liquid scintillator. The cylinder mantle and faces, shown in Fig. 4, are 30 mm in thickness and reinforced by straight and circular stiffening elements in order to increase the mechanical strength. While this is a relatively sturdy design compared to most neutrino detectors, it increases the mechanical robustness against inside-to-outside pressure differences of up to 30–50 mbar, thus permitting comparatively easy filling and liquid exchange operations (Sect. 3.2).

Footing The vessel rests on eight vertical acrylic plates bonded to the bottom of the cylindrical vessel. They are reinforced by two acrylic rings and several acrylic bars interconnecting the plates to increase stability. Each plate features a hook at the outer perimeter that are foreseen for lifting the AV onto the Steel Frame during installation. Along the lower rim of each plate, three 1" diameter bore holes permit fastening the AV to the Steel Frame by horizontal bolts. This holding mechanism is required to counter the buoyancy forces acting on the vessel when inner and outer volumes are filled with LS and water, respectively (almost 3 t of lift are expected).

Ports The AV provides several interfaces: In the center of both top and bottom lids, a connection to 3" pipes for filling and draining the AV is foreseen (Sect. 3.3). Next to the center, a 4" pipe will be connected to permit measuring the liquid filling height in the AV by a laser system mounted on the top of the WT. A fourth pipe will connect to a 3" socket at 1.2 m radius to provide access for the ACU to enter calibration sources into the LS volume (Sect. 3.5). Finally, a small opening (2" diameter) will be provided at the very periphery of the top lid for the installation of a rod equipped with temperature, pressure and liquid level sensors to monitor LS operations in the AV (Sect. 3.3). All interfaces are realized by acrylic pipe

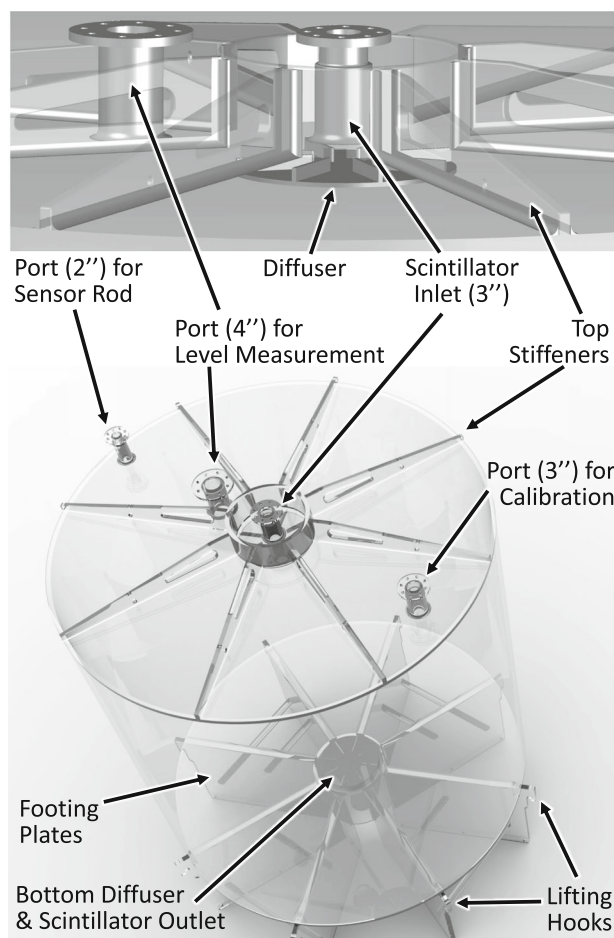


Fig. 4 The Acrylic Vessel of OSIRIS: the lower panel shows a general overview, the upper panel a detailed picture of the LS inlet

sockets bonded to the AV lids and topped off with flat acrylic flanges. Their faces will be met by corresponding stainless steel flanges on the connecting pipes. The seal is provided by a custom-made double-O ring design.

Diffusers In order to support temperature stratification of the LS during continuous filling mode (Sect. 3.3), the central LS inlet and outlet are terminating within the AV volume not with an open end but are capped off by an acrylic disc of 500 mm diameter acting as flow diffuser (Fig. 4). The discs are held in place by eight radial acrylic elements of 50 mm in height. In this way, the stream of the LS is diverted from a vertical to a horizontal direction along the AV lids. The radial elements are meant also to reduce circular motions (vortices) in the liquid. Dimensions are chosen to obtain low flow speeds and Reynolds numbers and thus mostly laminar flow of the LS. The functionality of the diffusers has been successfully tested in a scale 1:10 prototype.

3.2.2 Production and radiopurity

Given the immediate contact of the vessel with the LS, its radiopurity is of uttermost importance for the sensitivity of the OSIRIS setup. Several quality assurance methods have been devised in order to ensure the compliance with the required purity levels of ^{238}U , ^{232}Th and ^{40}K that has been specified to 1 ppt level for both bulk and surface materials.

Production The requested low-background acrylics for physics studies will differ from the commercial products in the following protocols: the mold will be rinsed with ultrapure water before raw monomer injection; the polymerization will be catalyzed from a pure monomer without any additives for UV-resistance; thermal forming and bonding acrylics will be performed in a pure nitrogen environment; sanding and cleaning of the acrylic pieces will be performed inside a Clean Room of Class 10,000. The vendor (Goldaqua company) will record all surface contacts in a special diary. The quality assurance will be directly supported by physicists to reach the specified background level.

Bulk radiopurity Acrylic samples are tested via ICP-MS (Inductively Coupled Plasma-Mass Spectrometry) that is a very practical and sensitive analysis method for discovering traces of radioactive isotopes. While the ppt-level abundances are too low to discover them directly in samples, a new method has been developed, where we adapt the dry ashing procedure in the acrylic sample and digesting it to solution in order to raise the concentration of radioactive element in the parallel samples. Together with ICP-MS, the corresponding detection limits of ^{238}U and ^{232}Th reach 0.32 ppt and 0.70 ppt, respectively.

Surface radiopurity screening During the production and storage of the AV, additional surface contamination can be introduced by dust setting from the ambient air. Dust particles can be removed by rinsing the surfaces with deionized water. In the following, the wash water can be investigated for changes in electric resistance and light absorption properties, giving indirect evidence of the surface conditions. Studies are carried out to calibrate the contamination level of the water with the resistance and transmittance data, and can be related to the residual dust level on the surface by ICP-MS analysis.

3.3 Liquid handling system

The liquid handling system (LHS) fulfills a range of requirements. It supports several operation modes for the filling and exchange of the liquids in the Acrylic Vessel (AV) and the Water Tank (WT) while maintaining appropriate liquid and gas pressure levels in all detector subvolumes to protect the detector from mechanical damage as well as the intrusion of radon. These tasks can only be achieved via a constant mon-

itoring of the liquid and gas properties by a dedicated sensor system.

3.3.1 Filling and operation modes

While catering to a variety of needs for the operation of the detector, the functionality of the LHS can be roughly divided into three main operation modes:

Initial detector filling Upon completion of the detector construction, the air inside the AV and WT volumes is replaced with ultrapure nitrogen to remove both oxygen (damaging the LS) and radon (introducing radioactivity). In the next step, both AV and WT are filled from below with high-purity water from the common water supply. The idea is to equalize liquid levels in the inner AV and outer WT volume, preventing the build-up of hydrostatic pressure differences. It also serves as the final cleaning of the inner surface of the AV from dust and radioactive contaminants. Finally, only the water inside the AV is replaced by LS that is now added from the top, floating on the residual water due to the lower density. The density difference leads as well to a potential difference in hydrostatic pressure that is held in check by the LS liquid level in the head tank.

Unlike other LS detectors, OSIRIS sets special requirements to its LHS. Given that a large number of different scintillator batches is to be monitored during the commissioning and JUNO filling phases, the LHS is designed to permit exchange of the LS inside the AV without having to drain the outer water volume. There are two possible operation modes to achieve this: Batch and continuous-filling modes.

Batch mode In this mode, the new LS will be added through the top filling pipe but at a temperature of at least $+4^\circ\text{C}$ compared to the LS present inside the AV, while old LS is drained from the bottom outlet. The design rate of LS replacement is 1 ton per hour. Studies with the 1:10 laboratory prototype of the detector have shown that this temperature gradient will be sufficient to prevent larger intermixing between the upper layer of new and lower layer of old LS. The exchange of one full LS volume can thus be achieved within less than 1 day. In the follow-up, the new batch of LS can be screened for a period of several days to weeks, permitting to reach design-level sensitivity to U/Th contaminations (Sect. 5.1.3).

Continuous filling mode During the LS filling of the JUNO target volume, batch-mode operation does not provide a sufficient exchange rate of the LS to monitor all of the product LS for radiopurity. Moreover, stopping the filling to perform radiopurity monitoring of single batches creates extended dead periods in which a sudden increase in LS radioactivity cannot be discovered. Thus, an alternative replacement mode has been devised: without interruption, LS is continuously filled from the top at an increased temperature. The

LS gradually cools down while traversing the full height of the AV within about 1-day's time and is then drained from the bottom. In order to maintain the temperature gradient inside the AV, a counter-flow of cold water is established on the outside in the water tank, enhancing the cooling speed of the lower layers of LS in the AV. With an exchange rate of 1 ton per hour, OSIRIS can monitor a constant fraction of $\sim 15\%$ of the product LS. As described in Sect. 5.1.4, the U/Th sensitivity of this measurement mode crucially depends on the initial background level of radon introduced by the components of the JUNO and OSIRIS LS systems.

3.3.2 LHS layout

Figure 5 shows a simplified diagram of the LS and water handling systems of OSIRIS. The system is realized as a bypass to the JUNO main LS line (not shown). LS and water systems can be operated in both a through-going and an internal loop mode, providing at least temporary independence from the external liquid supply. Here, we describe the main components.

Pumping stations Most of the components required for controlling the liquid flows of the OSIRIS LHS (magnetic centrifugal pumps, valves, flow meters and other sensors) are concentrated in the two pumping stations. LS passing from the JUNO main line into the OSIRIS LHS is redistributed by the LS pumping station (LS-PS), either to be temporarily stored in the Buffer Tank or to be forwarded to Head Tank and AV. In turn, LS extracted from the bottom of the AV is pumped out via a filtration stage in the LS-PS. The water pumping station is a simpler system that maintains the flow of water into and out of the WT with a single centrifugal pump. The nominal flow speed is $1 \text{ m}^3/\text{h}$ for the LS system and $1\text{--}3 \text{ m}^3/\text{h}$ for the water circuit.

Buffer Tank Directly connected to the LS input from the JUNO main filling line, a buffer tank with a storage capacity of 5 t of LS provides independence from the operation status of the purification plants and CD filling systems. Even in case of an intermediary interruption of the external LS supply, the tank permits to maintain a constant inflow into the AV for several hours.

Head Tank The stainless steel tank features a capacity of $\sim 100 \text{ l}$. It serves as a small LS reservoir above the AV that fulfills two important functions: during normal operation, the LS level will be kept at a defined height in the tank that is $\sim 50 \text{ cm}$ above the water filling line of the WT to reduce the hydrostatic pressure difference between the inside LS and outside water volume surrounding the AV. Pressure equilibrium is achieved at the top of the AV to minimize the mechanical stresses. The tank also plays a crucial role in the initial

filling as it permits to carefully balance pressure levels when replacing water with LS inside the AV.

Electric heater In order to generate and maintain a temperature gradient within the LS inside the AV, the scintillator has to be heated prior to insertion at the AV top. This is achieved by a 10-kW electric heating tape attached to the pipe leading from the LS-PS to the Head Tank. The heating is temperature-controlled to less than 200°C to avoid damage to the LS.

Water cooling loop Water from the JUNO high-purity water system will be inserted into the tank by a loop pipe mounted just below the AV on the central Steel Frame to generate an upward flow of water along the sides of the AV. This water will be pre-cooled by a heat exchanger (10kW) in order to support the cooling of the LS. A second star-shaped system inserts water at the bottom of the tank to compensate for any residual heat entering the tank through the floor. Once inside the tank, the water is warmed up either due to the intended heat transfer from the LS across the AV to the surroundings or by the PMT electronics and other unintentional heat sources. By convection, this warm water rises to the top of the WT and is extracted via a riser pipe. This open loop offers an effective way to remove radon added to the water by emanation from the detector components, while the incoming high-purity water features an expected radon level of $1 \text{ mBq}/\text{m}^3$.

Nitrogen system The nitrogen system of OSIRIS is fed by JUNO's high-purity N_2 supply. The system will receive N_2 gas at a pressure of 6–10 bar. An initial pressure reducer provides N_2 at 0.5 bar that will be used for the initial flushing of AV and WT volumes to remove oxygen from the system (Sect. 3.3.1). A second pressure reducer supplies N_2 at $+(5\text{--}10) \text{ mbar}$ compared to surroundings. N_2 from this stage will be distributed to the WT, Head Tank, ACU and Buffer Tank to keep them under an inert atmosphere. The slight overpressure reduces the risk of ambient air entering the detector, while the use of high-purity N_2 to form blankets inside all tanks prevents diffusion of radon into the LS volumes.

3.3.3 Liquid level and temperature monitoring system

The LHS sensor system serves two primary purposes. Operation of the complex system with several tanks and a direct connection to the external LS and water supplies requires a precise knowledge of the filling heights and flow rates to prevent damaging the system components. On the other hand, batch and continuous operation modes rely on a rather sophisticated control of the liquid temperatures inside the AV and WT, making close monitoring a necessity. An overview of the system is laid out in Fig. 6.

Level monitoring system The liquid levels inside all tanks are primarily monitored via hydrostatic pressure sensors inserted

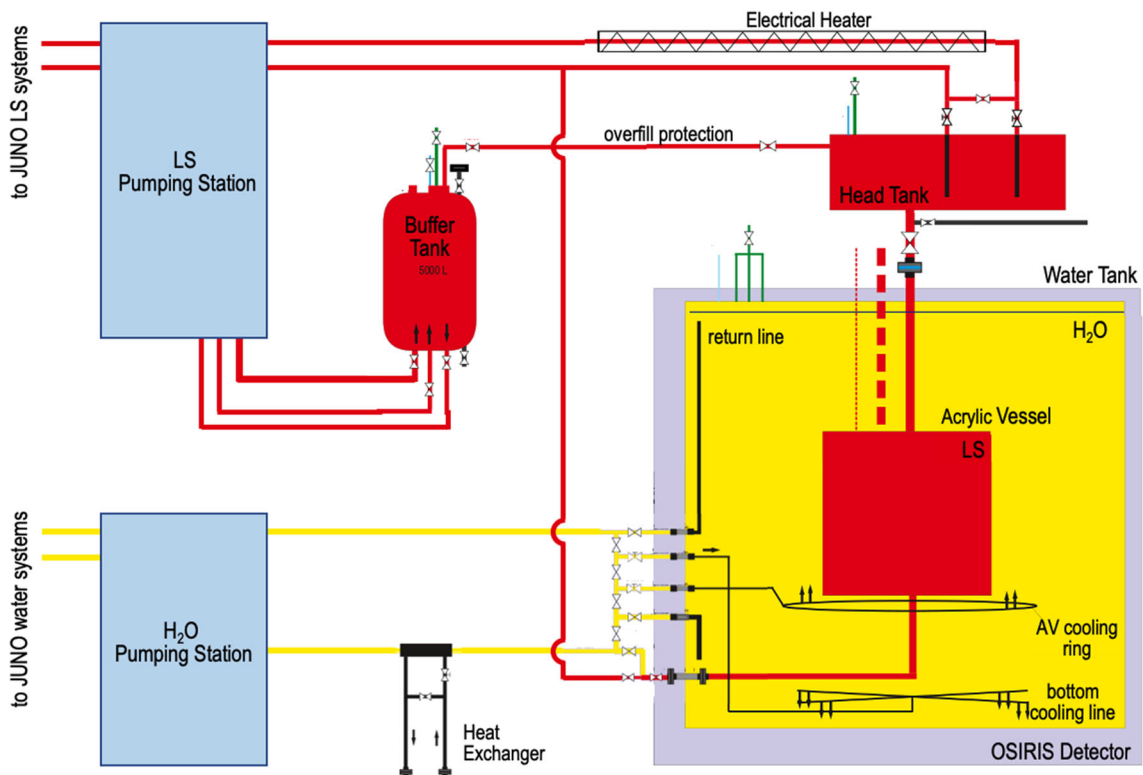


Fig. 5 Conceptual layout of the OSIRIS LHS. The LS system (red) includes a pumping station, buffer tank and head tank that permit the continuous exchange of the LS within the Acrylic Vessel. An electric heating system permits to pre-warm the LS to establish a temperature

gradient, causing LS stratification within the AV. The water system (yellow) supports this process by establishing a counter-flow of cold water along the sides of the AV, enhancing LS cooling

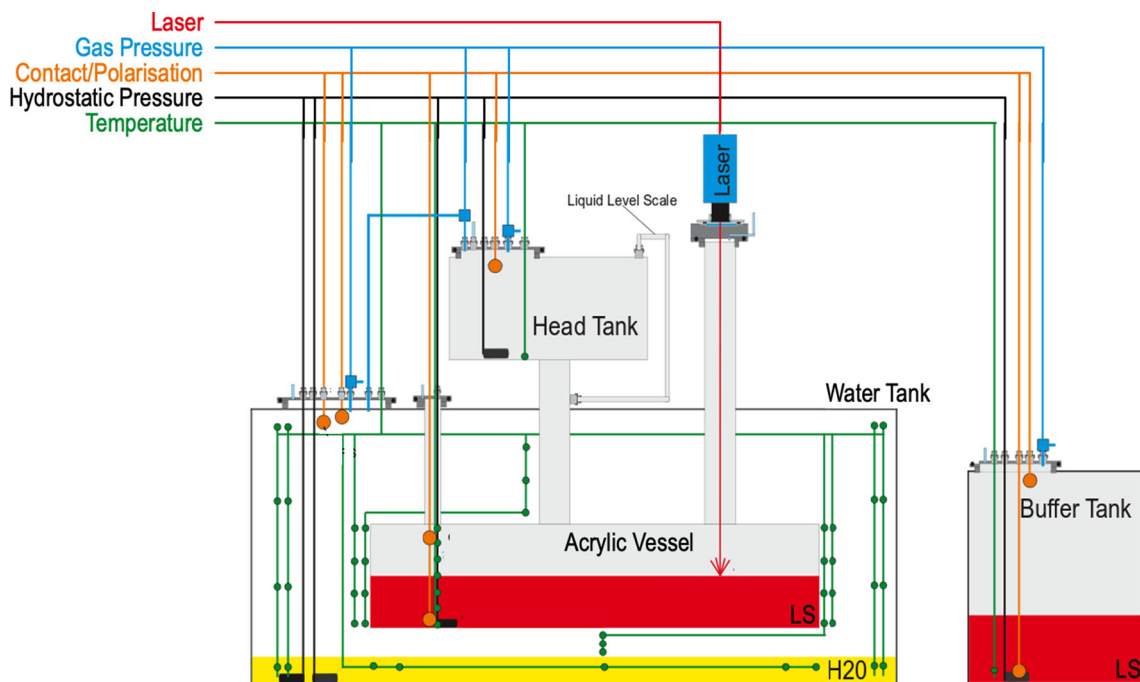


Fig. 6 Schematic drawing of the LM-system with temperature sensor grid. The thermometers are indicated in green, the HPSs in black while the level switches are drawn in brown. The gas pressure meters are shown in blue. The red line shows the position of the IR laser level sensor

at the bottom of the respective liquid volumes (SISEN Automation, BST6600 PS3/6). They provide a relative resolution of $\pm 0.25\%$ for the liquid levels. In the special case of AV, this measurement is complemented by a laser-based optical distance meter mounted on the roof of the WT (Laser Tech TruSense S310). The line of sight to the LS level inside the AV is provided by a dedicated 4" stainless steel pipe connected to the AV top lid. The laser operates at an infrared wavelength of 905 nm harmless to the PMTs and provides an accuracy of ± 10 mm for the liquid level. For redundancy, all tanks are equipped with contact sensors at level heights critical to the filling process. Within the AV, this is realized with capacitive sensors that perform a measurement of the electrical polarizability of the contact medium and thus are able to differentiate between water and LS phases in the initial exchange operation (Rechner GmbH, Capacitive Sensors Series 80).

Temperature monitoring grid Both *batch-* and *continuous-mode* operations benefit from a direct monitoring of the temperature profile inside the AV. Seven PT-1000 resistor thermometers ($\Delta T \sim 0.1$ °C) are arranged at regular distances along a stainless steel rod that is directly inserted into the LS volume close to the outer perimeter. This 'Thermorod' holds as well a hydrostatic pressure and two capacitive sensors (see above). In the water volume, a grid of 16 thermometers arranged around the AV (supported from the Steel Frame by long radial stainless-steel rods) monitors the corresponding temperature profile of the upward water flow. This inner array is complemented by an outer thermometer array that provides information on potential external impact factors.

All sensors have undergone a HPGe screening to verify their compliance with the radiopurity requirements and the materials have been chosen for chemical compatibility with LS and water (mostly stainless steel and PTFE). Their cables are led from the WT via the roof Cable Flanges.

3.4 iPMTs

Light read-out in OSIRIS is achieved by a total of 76 20-in. PMTs. The Inner PMT Array is formed by 64 PMTs arranged in four horizontal rings at different heights surrounding the AV and two rings of vertical PMTs below and above the AV lids (see Fig. 2). Twelve further tubes of the same type form the Outer Detector.

The novel concept of the intelligent PMT (iPMT) combines the photomultiplier tube and the required electronics into a single device. The electronics – high voltage supply, digitizer and control – are mounted inside a stainless steel shell, which is located at the back of the PMT. The signal quality is improved by avoiding long cables between the signal source (PMT) and the digitization circuit.

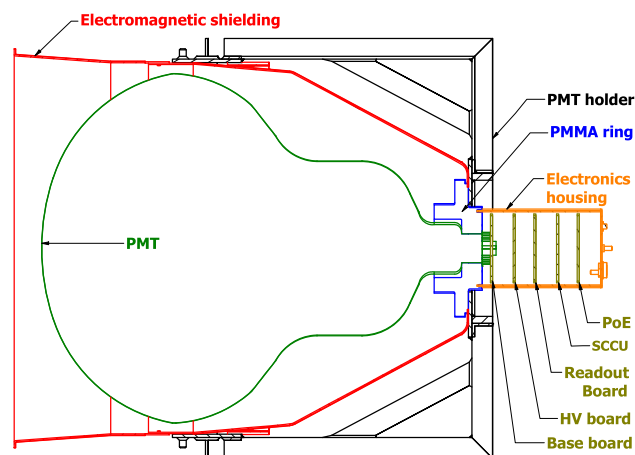


Fig. 7 Cross section of one iPMT assembly

Table 1 Properties of the OSIRIS PMTs

Parameter	Value
Transit time spread	2.63 ± 0.16 ns
Dark count rate	15.4 ± 2.6 kHz
Peak to valley	3.21 ± 0.20

3.4.1 iPMT mechanics

As shown in Fig. 7, each iPMT is composed of several parts that are assembled around the central PMT. The PMTs used for OSIRIS are 20" tubes of type R15343 by Hamamatsu. This type of PMT is based on a "Venetian-blind" dynode structure. The key parameters of the PMTs are summarized in Table 1.

The electronics, consisting of a stack of five printed circuit boards (PCBs), is mounted directly to the back of the PMT. The basis for all mechanical mountings is a PMMA piece glued to the neck of the PMT. First of all, this PMMA piece provides an interface for glueing the stainless steel electronics housing. The electronics stack is immersed in oil which transfers the heat from the electronics via the stainless steel shell to the surrounding water.

Each PMT is protected by a shielding cone from external electro-magnetic fields. The cones are based on aluminum (electric shielding) and amorphous metal (magnetic shielding) foils encapsulated by epoxy with carbon fibers for the inner PMTs respectively glass fibers for the OD PMTs. The front part of the shielding causes some optical shading for photons incident under large angles but is painted white to increase the chance that photons hitting the inner cone are reflected back on the photocathode. The shielding is held in place by a stainless steel holder screwed to the PMMA piece. The holder supports as well the glass bulb of the PMT via a set of clamps arranged around the equator and provides fixing points for the interface with the Steel Frame. Horizontal

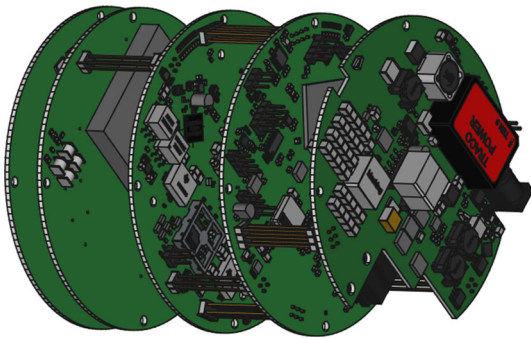


Fig. 8 iPMT electronics stack. The PMT is mounted on the left side. From left to right, Base, HVboard, Readout Board, SCCU and POE. Spacing between the boards is not to scale

PMTs are mounted at one of four holding plates arranged around the PMT equator, while vertical PMTs are fixated using a secondary steel ring at the PMMA piece.

3.4.2 Under water electronics

As shown in Fig. 8, the electronics stack at the back of the PMT consists of five boards, each having a diameter of 100 mm. Here we describe their function, starting from the lowest PCB closest to the PMT:

Base The voltage divider for the PMT is laid out according to the recommendations of Hamamatsu. The PMT is operated with a positive high voltage towards the anode, keeping the photo cathode connected to ground.

High voltage board The board carries a custom-made high-voltage (HV) module, which converts 24 V to a HV DC output suitable for operating the PMT [5, p. 5]. The board hosts as well the decoupling capacitors to strip the current signal from the HV supply.

Read-out board (ROB) The ROB is the central board of the stack. On this board, the analog signal from the PMT is converted into a digital signal and processed further. The main component of the readout board is a System On Chip (SOC) unit (Xilinx ZYNQ 0720) which combines a FPGA with a dual core ARM processor. The FPGA part – programmable logic (PL) – is the hardware for handling the high speed signals of the digitizer. The other part, the processing system (PS), runs the software that controls the PL and forwards the data to the EventBuilder.

For synchronization purpose each ROB hosts a clock-data-recovery (CDR) circuit, which is fed with a Manchester encoded data stream (synchronous link). The CDR recovers both clock and data from this data stream. The recovered clock is used as the reference clock for the digitizer. The data

provides information about the synchronization of all iPMTs to a global timestamp.

VULCAN ASIC The conversion of analog to digital signal is done by the VULCAN ASIC. It has been developed by ZEA-2 at FZ Jülich to serve as the analog front-end electronics and the digitizer in a single chip. The ASIC provides three individual identical receivers, which can be highly configured using a JTAG interface [6, p. 16]. This interface also allows reading of multiple status registers. Each receiver consists of an analog front-end and an ADC, which is configured to run at 500 MSps. The three receivers are adjusted to cover three different signal amplitude ranges, the design values for the ranges are 0–10 p.e., 0–100 p.e., 0–1000 p.e. [6, p. 14]. This results in both a large dynamic range and high resolution at lower charges. All three receivers are sampled in parallel. The ASIC itself selects the one with the highest resolution and no saturation and sends the sample to the PL. This method provides the best amplitude resolution.

Signal processing Inside the PL, the continuous digital data stream of VULCAN is serialized from two samples per clock cycle to four samples per clock cycle. The packets are continuously filled into a ring buffer. If the amplitude of a sample rises above threshold, a trigger is issued and the ring buffer is read out. Afterwards the data are converted into an Ethernet-packet and transferred via a buffer and the Ethernet link to the EventBuilder (3.7).

Slow Control and Configuration Unit (SCCU) The SCCU hosts a STM32 microcontroller and a four-port Ethernet switch (only three ports are used). This switch provides a port as an uplink to the Surface Board. A second port is connected to the ROB while a third port is interfaced by the microcontroller. The latter runs a firmware that handles the Xilinx XVC protocol for the JTAG access and custom protocols for accessing two I2C ports and three UARTs. One of the UARTs is connected to the HV module via RS485 and two are connected to the ROB.

Power over ethernet (POE) This board hosts a POE class 4 powered device controller, which is followed by two galvanic isolated DC/DC converters. While one creates a dedicated 24 V supply for the HV module, the other supplies a 5 V net for the remaining electronics. When all boards are in normal operation, the stack consumes about 11 W at the POE switch.

Since the stack is surrounded by oil all contacts on the boards are soldered. Plugs would carry the risk of oil creeping in and thus decreasing the quality of the electric contact. During assembly, the boards are first connected by bottom entry connectors for testing. Soldering is done as a last step without unplugging.

While offering many advantages for the signal quality, the integration of the digital electronics with the PMTs means that they cannot be replaced in case of failure while the Water

Tank is filled. Hence, components have been designed and selected with longevity in mind.

In addition, we have studied the effect of malfunctioning iPMTs on the detector performance. A loss in inner PMTs would mostly mean a reduction in the p.e. yield and thus energy and vertex resolution, corresponding to a gradual reduction of detector performance. Using simulation of cosmic muons (Sect. 4), we have assured that the loss of 2–3 outer PMTs would be acceptable without a major reduction in muon veto efficiency. Moreover, 4 spare iPMT units will be stored on site in case a replacement should become necessary. The refurbishing could be undertaken between the commissioning and JUNO LS filling phases.

3.4.3 Surface electronics

The connection between the iPMTs and the Surface Electronics is established by a separate Ethernet cable for each iPMT. The length of the cable depends on where the iPMT is placed inside the Water Tank (17 m for the iPMTs at the top of the detector, 22 m for the center rings and 25 m for the iPMTs at the bottom). The individual cables exit OSIRIS via the Cable Flanges on the top lid of the Water Tank.

The cable consists of four wire-pairs, which are split up in two specially developed Surface Boards (each servicing up to 48 iPMTs). The two Ethernet wire-pairs are directly forwarded to a POE switch, the two other pairs are used for the synchronization.

It is mandatory for the event reconstruction in OSIRIS that all iPMTs are synchronized to a single global time stamp. This time stamp is created by one Surface Board in regular intervals and broadcast to the other Surface Board as well as to the connected iPMTs via the synchronous link.

An iPMT is running on the global reference clock via the CDR. Once the iPMT is powered, the local time stamp of the iPMT is set to the global time stamp. In order to monitor the synchronization, the local and global timestamps are compared. The designed accuracy of the timestamps between two arbitrary iPMTs is better than 1.5 ns.

For creating a trigger signal for the laser and LED calibration system, each Surface Board is equipped with two outputs. These outputs create a pulse and at the same time a timestamp is sent to the EventBuilder.

3.4.4 Slow control

The slow control system of OSIRIS is based on the Experimental Physics and Industrial Control System (EPICS) [7] version 3.14. By this, the slow control system is compatible with the JUNO Detector Control System (DCS) [8, p. 240]. For an easy accessibility of the OSIRIS slow control, there will be a graphical user interface based on *caqtadm*.

iPMT slow control The iPMTs provide many slow control data sources. Each iPMT provides about 100 slow monitoring variables. These variables include data such as measurements from I2C sensors (voltage, current, temperature etc.), the status of the PS or status registers from VULCAN. These status registers can not be logged in real time, but polling them several times per minute might be useful for further analysis, for example waveform reconstruction.

Ethernet switches The POE-Ethernet switches are the backbone of the OSIRIS detector. They are providing power to each iPMT. For OSIRIS managed switches are used. They provide a SNMP interface, which allows remote control of the Ethernet as well as power. This functionality is mapped to be available in EPICS.

Integration of calibration systems The slow control software of both calibration systems, ACU and fiber system (see Sect. 3.5) is based on LabVIEW 2015. Both systems can be used via independent GUIs. They are included in EPICS via the LabVIEW shared variables engine, which provides remote control.

3.5 Calibration systems

The calibration of the OSIRIS detector is performed based on two subsystems. A *fiber system* coupled to a very fast laser is used for timing and charge calibration of all PMTs (Sect. 3.5.1). The light pulses are distributed from the laser via optical fibers to insertion points placed at several locations on the Steel Frame. This allows a precise relative timing and single photo electron (s.p.e.) charge calibration of all PMTs. Additionally, a *source insertion system*, placed at the top of the detector, is used to lower a selection of weak radioactive gamma sources as well as an LED directly into the LS volume (Sect. 3.5.2). While the LED provides redundancy for the timing and charge calibration, the gamma sources are used to calibrate the energy and the position reconstruction.

3.5.1 Fiber system

The two main tasks of the Fiber Calibration System are a precise calibration of the relative timing of iPMTs on a sub-nanosecond level and the equalization of s.p.e. charges. Several design requirements have been considered in the development of the system:

- A picosecond laser has been chosen as a light source to achieve the required time resolution. Both time and charge calibrations require illumination of the PMTs in the sub-Poissonian regime. Thus, the aimed-for light intensity is $\mu = 0.01$ p.e. per pulse. In addition, differences in light running time have to be avoided using fibers of well-defined length, with same-length fibers for groups

of PMTs. Remaining inequalities should be negligible compared to the TTS of the PMTs (Table 1).

- The duration of a daily calibration run should not exceed 10 min: starting from a TTS of 1.1 ns (1σ , cf. Table 1), about 2×10^3 s.p.e. pulses are required to reach a relative timing alignment of 25 ps (1σ) between channels. Due to the low average light intensity, about 2×10^5 pulses per PMT are required. With a maximum trigger rate of 10 kHz, this leads to a measurement time of 20 s per diffuser and a total of 8 min for a complete run. The corresponding accuracy expected for the PMT charge calibration is at the 7×10^{-3} p.e. level.
- All internal parts of the system need to comply with the radiopurity limits as well as guarantee a reliable long-term operation. A flexible hardware design (e.g. linearity checks of the PMTs) is needed, too, to provide the opportunity to adjust to further requirements in a future physics program of OSIRIS.
- The system must provide an interface for remote control, i.e. it has to be integrated into the slow control/EPICS system of OSIRIS.

Based on these requirements, the system features the following components:

Light source The picosecond Laser is a PiL042X from A.L.S. GmbH. It generates pulses 80 ps in length with a wavelength of 420 nm and a maximum repetition rate of 20 MHz. The light intensity can be tuned and a standard FC/PC fiber coupling is provided.

Light injection points The positions and number of light injection points have been optimized based on the detector simulation. They guarantee a uniform illumination of all PMTs with light intensities varying no more than a factor of two between individual PMTs. To achieve this, a total of 24 injection points with diffusers will be installed on the Steel Frame: eight inward-facing diffusers distributed at regular intervals at the height of the AV equator, two times four vertical diffusers below and above the AV to illuminate the PMTs on the opposite side of the AV, and another eight distributed in the Outer Detector (see Sect. 3.1.2)

Diffuser capsules At the light injection points, PTFE diffuser bulbs have been attached to the ends of the individual fibers to create a homogeneous light field. The ferule tip of the fiber is placed in the center of the PTFE hemisphere, which results in a homogeneous radiation field in the range of 70° from the central axis of the hemisphere. The bulbs are encapsulated in a stainless steel shell. The necessary sealing is realized in two ways: firstly, the fiber is glued into the back of the capsule using an epoxy (Masterbond EP30-4). Secondly, an

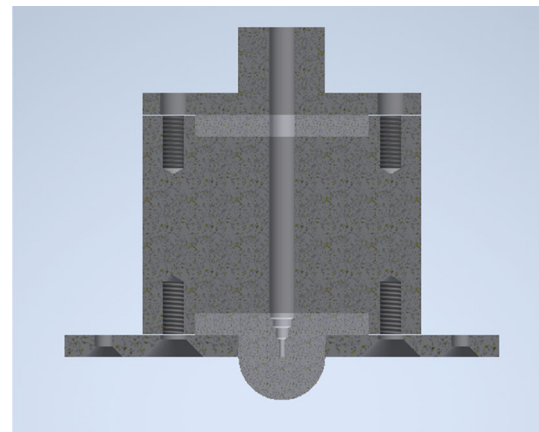


Fig. 9 Cross section of the diffuser capsules. Sections displayed in light grey are made of PTFE, dark grey is 316L stainless steel

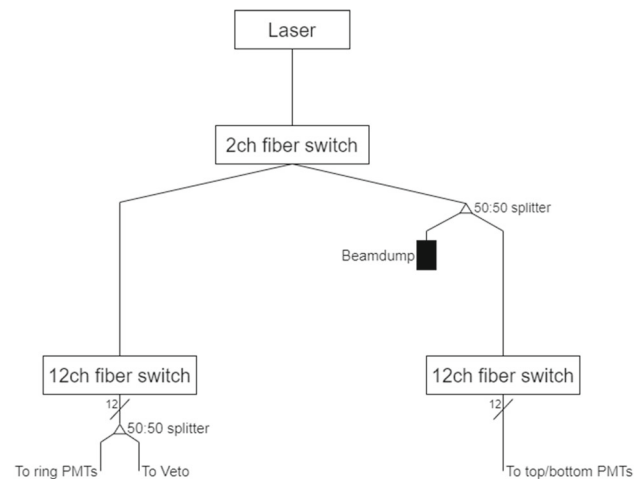


Fig. 10 Routing scheme of the light distribution system for the calibration Laser

additional PTFE disc seals the top plate of the diffuser capsule. A schematic drawing is presented in Fig. 9.

Light distribution system A cascade of optical switches and 50:50 fiber splitters will distribute the light from the single laser source to the light injection points. As illustrated in Fig. 10, the channels of the system are divided into two groups, covering the top/bottom and ring/veto diffusers. Since the Outer Detector and Inner Detector are optically separated, such a split enables to illuminate veto and ring diffusers simultaneously, leading to a reduction in the calibration time.

Laser and distribution system will be housed in a 19" rack mount on the WT roof. The active elements can be controlled via the slow control system using a standard RS232 interface. Additionally, a LabVIEW control software is available, providing all system parameters as EPICS IOCs for remote operation.

3.5.2 Source insertion system

The Source Insertion System is mounted to the top of the Calibration Flange on the roof of the OSIRIS Water Tank. It is based on an Automated Calibration Unit (ACU), which has been provided by the Daya Bay collaboration [4], and then refurbished to suit OSIRIS's needs. A 3" stainless steel pipe provides a connection to the AV and permits to lower sources directly into the LS volume. Here we describe the main components.

ACU mechanics The ACU interior is shown in Fig. 11. A turntable supports a revolver-like structure of three acrylic winches that each hold a several meter-long string with a source attached at the end. One of the winches carries an LED used for timing and charge calibration of the PMTs. The two others carry radioactive gamma sources to calibrate the energy and the position reconstruction and to monitor the light yield of the LS. All ACU components have been selected for low radioactivity and are chemically compatible with the LS (PMMA, PTFE and stainless steel). During operation, the ACU is covered by a bell jar that will be flushed with ultrapure nitrogen to prevent contamination of the LS with oxygen or radon.

The bottom plate of the ACU provides a 1" port with an attached gate valve that is connected to the pipe leading down to the AV. The sources are lowered by stepper motors that unroll the strings on the winches. The motors are equipped with gear boxes and a combination of load cells and limit switches to ensure an accurate and safe positioning. The entry port is located at a radius of 1.2 m from the central detector axis. This insertion axis has been chosen to maximize the variation of the detector response at different heights, as sampled by various sources. The detector simulation predicts a 10% variation of light collection and thus energy response over the fiducial volume. Acquiring a selection of varied calibration measurements along the axis allows for maximal handles to tune the simulation, that will in turn be used to extrapolate the spatial dependence of the energy response to the entire LS volume.

LED source The source contains a blue LED (435 nm) able to emit fast low-intensity pulses for time and charge calibration of the PMTs. To emit isotropic light, the LED is inserted into a PTFE diffuser ball. Both are enclosed in an acrylic capsule. The LED is connected to a fast pulser circuit based on a design by Lubsandorzhiev and Vyatchin [9]. It allows to pulse the LED with up to 3 kHz and an adjustable signal intensity, creating pulses of a minimum duration of ~ 7 ns (FWHM).

When driven at low intensities, the LED will provide a cross-check to the s.p.e.-based results of the fiber system (Sect. 3.5.1). In addition, the tunable intensity offers the chance to investigate the PMT response to higher p.e. occu-

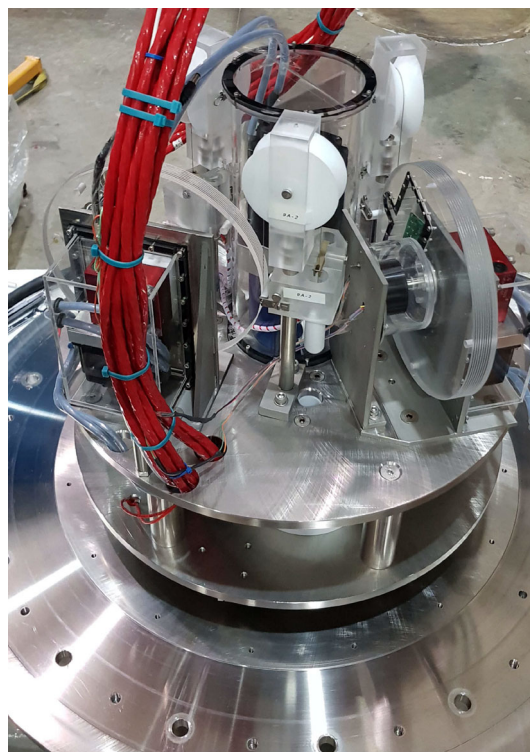


Fig. 11 The automated calibration system (ACU) with the bell jar removed. Three acrylic winches are mounted to a turntable, allowing to lower sources down into the detector through a 1-in. hole in the bottom plate

pancies. This is important since the average signal per PMT expected for OSIRIS is ≥ 2 photo electrons. The LED light intensity must be chosen with some care since the off-center position of the sources in the LS volume means that nearby PMTs may receive a factor of 10 higher intensity than the farthest tubes. In the s.p.e. mode, the intensity will be chosen to achieve an occupancy range from 5% to the closest to 0.5% the most remote PMTs. According to preliminary Monte-Carlo studies, 50–100 thousand LED pulses will be sufficient to obtain an average relative timing uncertainty of ≤ 1 ns and a charge calibration uncertainty of (3–5)% for the furthest PMT. Based on the high repetition rate, such a measurement can be completed within a few minutes.

Multi-gamma source This is the primary source for the calibration of event energy and position reconstruction. The PTFE capsule contains a combination of three radioactive isotopes: ^{137}Cs , ^{65}Zn , and ^{60}Co . With a combined activity of several kBq, this source is used to probe the energy range from 0.66 to 2.5 MeV. The corresponding visible energy spectrum is shown in Fig. 12. The ^{137}Cs produces a 0.66 MeV gamma, the ^{65}Zn a 1.12 MeV, and the ^{60}Co produces two coincident gammas with energies of 1.17 MeV and 1.33 MeV. The lines cover the energy range crucial for the detection of Bi–Po signals (Sect. 5.1.1).

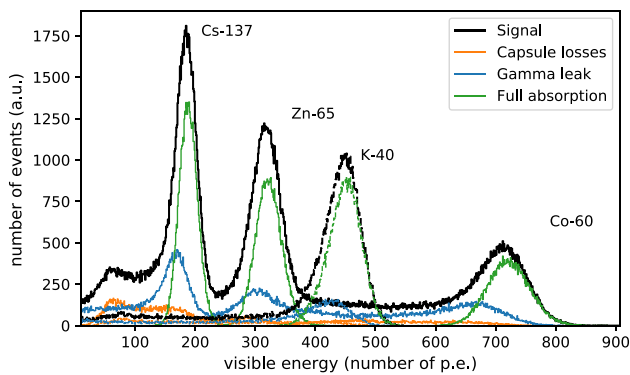


Fig. 12 Simulation of the visible energy spectra (in number of photoelectrons) of the gamma sources placed off-axis at a radius of 1.2 and 1.2m over the detector center. The dashed line represents the signal of the ^{40}K capsule, the solid line of the multi-gamma source. The absorption peaks of the individual isotopes are clearly discernible. The observed spectrum can be understood as a combination of events with full absorption in the LS (green), with energy loss in the capsule (orange) and with energy loss from spill-out from the AV volume (blue)

Potassium source The capsule contains natural potassium resulting in ≤ 1 Bq of ^{40}K gamma emission (^{40}K abundance: 0.0117%). The activity is sufficiently low to keep it inside the LS volume during normal operations. This allows for a continuous monitoring of the LS light yield via the ^{40}K peak position. Shifts may indicate a change in LS composition and would be reported to the JUNO filling team.

CCD system An infrared camera system will be installed on the Steel Frame to support the source calibration system. Two inward-facing cameras equipped with LED lights will monitor and cross-check the position of the capsules inside the detector, checking especially for horizontal deviations from the calibration axis. The design accuracy is ~ 3 cm.

3.6 Muon Veto

In order to identify muons and veto signals from associated secondary particles in the liquid scintillator, the water shield volume is utilized as an active Cherenkov veto. It is instrumented with 12 20''-PMTs to detect Cherenkov photons from muons in the water volume. PMTs, electronics and mechanical mounting are identical to those of the inner array. The magnetic shielding is realized by less radiopure glass fibers instead of carbon fibers.

PMT arrangement As displayed in Fig. 14, eight PMTs will be placed on the bottom of the steel tank facing upward and four PMTs will be installed horizontally on top of the Steel Frame to cover the entire water volume. The positions have been optimized using the OSIRIS simulation framework (Sect. 4), maximizing the detection efficiency for muons that

pass only the water volume. All muons crossing as well the LS volume inevitably feature a sufficient track length for efficient detection ($> 99\%$) and can be clearly identified by their high scintillation signal.

Reflectors To increase the number of detected Cherenkov photons in the veto system, the side walls and the floor of the veto volume will be covered with white Tyvek foil which is attached to the steel tank liner. As the increased reflectivity would have a negative impact on the time resolution of the ID, the inner and outer PMT systems are optically separated by bicolored PET sheets fixed to the PMT holding frame. While white on the outside, the inner sides of the sheets are black to avoid reflections interfering with the time response of the ID. This separation is not completely hermetic but simulations show that a coverage as indicated in Fig. 3 is sufficient to prevent cross-talk on a level that would diminish the detector performance.

Muon trigger Based on simulations, three different trigger schemes have been elaborated.¹ For each, a set of trigger conditions has been optimized to minimize false triggers induced by coincident PMT dark counts while maximizing the muon detection efficiency. The trigger schemes differ in their requirements for multiplicity of hit PMTs and the minimum number of detected photons within the trigger window. In the most sophisticated scheme, also the relative positions of the hit PMTs are considered to exploit the locally restricted photon emission along the muon track.

Expected performance In order to determine the required muon veto performance, an extensive set of cosmic muon events and their secondaries was simulated. Neutrons and radioisotopes from muon spallation in the LS can pose a correlated background to Bi–Po coincidence searches. Applying the corresponding selection cuts (Sect. 5.1.1), the expected rate of ^{214}Bi –Po-like background events is 0.1 per day in the LS volume.

In the presented veto setup, the muon detection efficiency is expected to be 90–97%, depending on the chosen trigger model. The resulting background rate is equivalent to a uranium contamination of the LS on the level of 10^{-18} g/g, permitting the screening of LS samples to similar contamination levels. The performance of the muon veto has been shown to be robust under PMT failure. The veto system can handle a loss of up to 4 PMTs (depending on the exact location of the tubes) without a significant loss in detection efficiency.

3.7 Online DAQ

The structure of the OSIRIS DAQ is adjusted to the photo-detection system based on the novel iPMTs. Since the sensors are self-triggering, every time a single iPMT meets the

¹ The finally utilized trigger condition, depends on the DAQ properties.

internal trigger condition a data packet will be sent out over the network. That allows, in principle, running OSIRIS in a trigger-less mode. On the other hand, the data flow is heavily dominated by the dark counts in which the time-correlated PMT hits of physics events have to be identified and extracted. This task is performed by the online trigger that is part of the functionality of a software called *EventBuilder*. Furthermore, it is central to the functionality of OSIRIS that changes in the event rates and especially Bi–Po coincidence signals are monitored in real time. Therefore, event reconstruction and basic analyses have to be performed online. To do that, the triggered events are sent over the network to a subsequent analysis framework that takes care of online analysis and monitoring. The schematic overview of the components are shown in Fig. 13.

EventBuilder layout In general, the trigger decision in the EventBuilder relies on three crucial stages: (1) an interface between the iPMT System and EventBuilder takes care to read in all data packets sent over the network, (2) the data packets are time sorted according to their time stamps (including preliminary corrections related to cable lengths and calibrations) and (3) coincidences in the data flow are identified based on the data-packet time stamps. When the trigger condition is met all the corresponding data packets are bunched together to form a raw event. The hit data is written to disk and forwarded to the online analysis framework. All the relevant tasks (reading in, time sorting, trigger finding, etc.) are implemented as parallel threads in the EventBuilder software. For this, the data packets are intermediately stored and transferred forward via data containers accessible by the relevant threads. The containers are implemented as single-producer-single-consumer-lock-free queues to guarantee a maximum reading and writing speed. The most CPU-intensive task is the time sorting of the incoming data packets. To reach sufficient performance, several sorting nodes have been arranged into a sorting layer that distributes the incoming data packets for parallel sorting and later on merges the separate threads into a single (subsystem dependent) data flow for the trigger search. Sorting itself is implemented using a binary-search-tree approach.

Trigger building The trigger building thread accesses the time-sorted data flow and performs a search of coincident PMT hits meeting the trigger conditions. Different trigger modes have been implemented, including a standard physics mode, a calibration mode and several modes to debug and inspect the performance of each software layers of EventBuilder. The standard physics trigger is based on the coincidence of five PMT time stamps within a time window of 70 ns. All data packets within a pre-trigger window of 200 ns before and 800 ns after the trigger are selected to form the raw event. After an event is constructed, it is written to disk and forwarded to the online analysis framework. It has to be emphasized that trigger-building in software allows a flexible

tuning of the trigger conditions and logic implementations at later stages of the OSIRIS physics programme.

Performance evaluation The performance of the EventBuilder software and the considered hardware has been evaluated by simulating the data acquisition chain. Two PCs were connected together via 10 Gbit/s network cards. The generator PC representing the iPMT system produced data packets and sent out a data flow to the second EventBuilder PC running the DAQ software. The throughput of the DAQ chain was tested by running the setup with 76 fake data generators with dark count rates taken from the PMT data sheets of the manufacturer. The test results demonstrate that the EventBuilder can process data rates that are more than a factor of 2 higher than those expected from PMT dark counts. The hardware required is an 8-core CPU (Intel i9 9900KF) with 128 GB memory and a 1-TB SSD storage configured to run in RAID-1 (mirroring) to ensure data safety.

Online/offline analysis and GUI The online analysis and monitoring framework of OSIRIS is based on the RootSorter online/offline analysis toolkit developed for accelerator experiments (ANKE and others) at COSY [10]. The core part of the RootSorter package provides a comprehensive list of functionalities typically needed, such as the communication method (TCP/IP), templates for data handlers, interfaces to different kind of parameter objects (geometries, calibration tables, run tables etc.) and an online monitoring client. It provides also a modular environment to run different kinds of analyses on the incoming data. The RootSorter package is linked against ROOT to access a vast collection of powerful data analysis methods and tools. A basic user application for OSIRIS has been constructed by implementing the required data structures and data handlers to receive the data sent from the EventBuilder. Based on this, a GUI for simple online monitoring has been set up. The analysis and monitoring framework is under constant development and full online event reconstruction, search for coincidence signals (e.g. Bi–Po) etc. are still to be implemented for the OSIRIS commissioning.

4 Detector simulation

The OSIRIS simulation framework has been devised to study the detector response to the different signal and background sources and thus optimize the design of the experimental setup. It utilizes the particle simulation package GEANT4 [11] (Version 10.2.3) and is linked against ROOT [12] and CLHEP [13] to allow efficient data structuring and output formatting as well as conversions and calculations in the physics context. This section summarizes the design of the simulation framework, discusses the expected performance of the OSIRIS detector and introduces the main background contributions for the sensitivity studies presented in Sect. 5. A

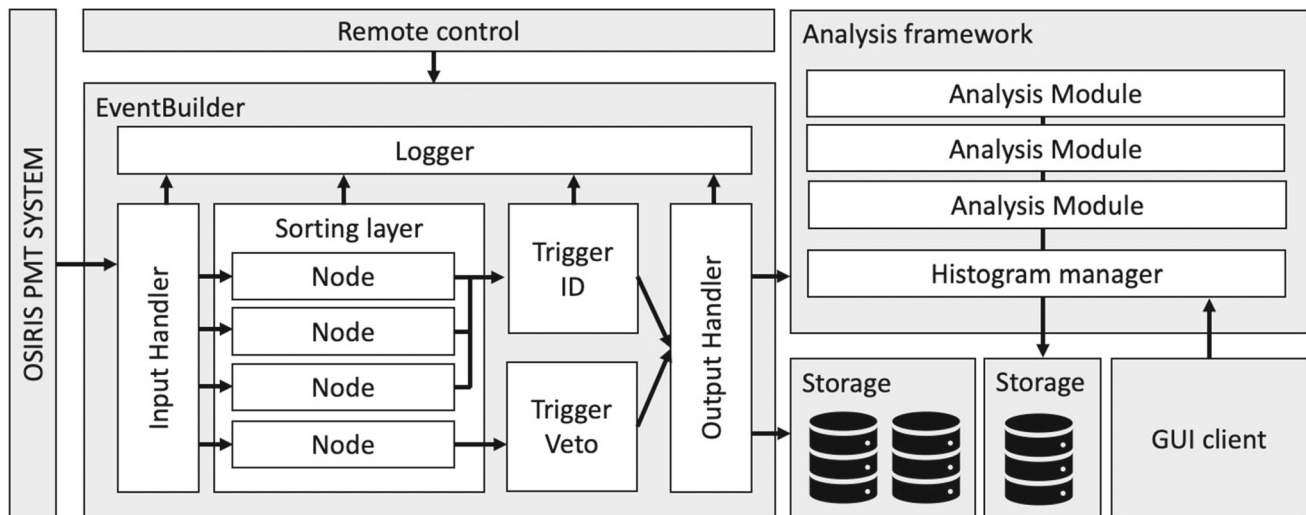


Fig. 13 Schematic overview of the components and data processing in OSIRIS DAQ software

more detailed description of the basic structure and features of the OSIRIS simulation framework is reported in Ref. [14].

4.1 Simulation framework

Geometry implementation The core geometry and key elements of the OSIRIS detector are implemented as illustrated in Fig. 14. The basic geometry is implemented as concentric cylindrical volumes representing the LS, acrylic vessel, water shielding, steel tank and surrounding rock. The individual detector components are constructed inside these basic volumes. Piping for the LS, calibration sources, thermorod and LS diffusers as well as the lower acrylic footing are directly attached to the AV volume. The steel frame holding the PMTs and the optical separation are inserted into the water volume. The implementation of the PMT model follows the realistic design of the Hamamatsu (R15343) 20" PMT. The magnetic shielding is included to model its optical shading and reflectivity (Sect. 3.4). The photocathodes are defined as dedicated *sensitive volumes*. The photon detection efficiency of the PMTs takes into account the wavelength-dependent quantum efficiency ($\sim 28\%$) and assumes 95% collection efficiency.

Physics list The physics list defining particles and physics processes is set up modularly and is based largely on the standard GEANT4 libraries. To model the scintillation and propagation of light signals, most of the standard interaction classes for optical photons are adopted, including the Cherenkov light creation model, photon scattering (Rayleigh and Mie) and boundary processes. Scintillation, attenuation, refractive index and reflections on surfaces and boundaries of material are implemented for all detector components. To address the characteristics of the JUNO scintillator precisely, the optical model was extended by custom definitions that

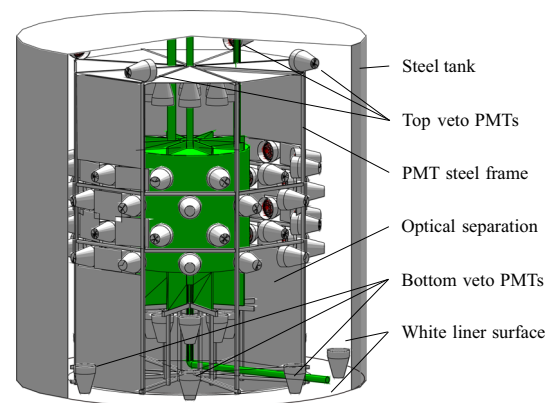


Fig. 14 Rendered depiction of the geometry implemented in simulation

address the scintillation process and the re-emission of photons with the required precision and are described in Sect. 4.2.

For modeling the interactions of particles, the definition of the detector materials includes physical properties as the density and molecular composition. The external physics list *QGSP_BERT_HP* is initialized to simulate the production of cosmogenic isotopes by muon spallation. This list is also used in the JUNO simulation, and it will provide a basis for comparison to measurements made by other experiments, such as Borexino [15] and KamLAND [16].

Generators To address the needs of different physics simulation studies, several primary particle generators have been implemented. In addition to the standard General Particle Source provided by GEANT4, a custom HEP mode allows the use of event parameters from external generators. In order to study the external gamma background in the LS volume, a biasing mode has been implemented. The technique helps to partially overcome the need to generate zillions of gamma-

Table 2 General parameters of the LAB (PPO, Bis-MSB) scintillator used in the simulation. The initial emission spectrum used corresponds to Bis-MSB. For the wavelength-dependent properties, the value at 430 nm is quoted [14]

Description	Parameter	Value
Mass density	ρ_m	0.86 g/cm ³
Light yield	\mathcal{L}	11522 MeV ⁻¹
Refractive index	n	1.495
Rayleigh scattering length	l_r	30 m
Absorption length	l_{abs}	85 m
Re-emission probability	P_{rem}	0.30
Re-emission time constant	τ_{rem}	1.5 ns

rays in the surrounding rock in order to compensate for the loss in statistics due to the large attenuation factor imposed by absorption in the water shield. Checking the progress of the gammas through an onion-like shell structure, the algorithm discontinues the tracking of gammas that are unlikely to deposit energy in the target volume and instead increases the weight assigned to inward-pointing tracks by creating identical copies. By correcting the final result for the modified weights, a realistic energy spectrum can be obtained with a reasonable simulation effort. The validity of the approach and the specific tuning chosen for OSIRIS have been verified against a standard simulation [14].

In order to enable the simulation of a realistic muon flux, a dedicated event generator was established which is based on the onsite flux properties. The expected muon flux has been calculated to be 3.7 mHz/m² with a mean muon energy of 209 GeV. This translates to an expected muon rate in the OSIRIS detector of 0.39 Hz and 0.04 Hz in the LS volume.

4.2 Custom modules implemented for OSIRIS

Improved scintillation model The original scintillation model of GEANT4 describes the time profile of photon emission by a two-component model. It also lacks a description of particle-dependent quenching. To increase the precision of the simulation for OSIRIS in both respects, we have introduced a custom-made scintillation model including three decay components for the scintillation time profile and quenching, both depending on the particle type. The general parameters describing the scintillator properties are listed in Table 2, while the weights and time constants describing the respective emission profiles as well as Birk's constants for different particle types are listed in Table 3 [17].

In the microscopic modeling applied, the number of emitted photons for each simulation step of a charged particle is sampled from a Poisson/Normal distribution around the mean value obtained from energy deposition and light yield \mathcal{L} . Photons are positioned randomly along the particle track.

The emission time is sampled from the particle-dependent time profile. Emission is isotropic with random linear polarization and the energy of photon sampled from the user-defined scintillation spectrum. If quenching is activated, the energy deposition and corresponding number of emitted photons is adjusted according to Birk's law.

Re-emission While the propagation of scintillation photons in the LS is well covered by the GEANT4 standard libraries, the absorption of photons by LS molecules with subsequent wavelength-shifted re-emission is not implemented. Thus, a custom class has been implemented that is called in case a photon is absorbed in the LS. The probability for re-emission is calculated as a function of wavelength. A re-emitted photon is created similarly to the custom scintillation process, with an adjusted energy spectrum and short re-emission time profile with $\tau_{re} = 1.5$ ns.

⁹Li and ⁸He decays The Bi-Po coincidence signals used to determine the U/Th contamination (Sect. 5) can potentially be mimicked by the βn -decays of the cosmogenic radioisotopes ⁹Li and ⁸He. In GEANT4.10.2.3, this decay is not implemented correctly as the excited states of ⁹Be and ⁸Li in all cases decay directly to the ground state by the emission of a gamma. The additional intermediate states required for a realistic simulation have been implemented in the utilized GEANT4 installation according to Ref. [18].

4.3 Expected performance

While detailed reconstruction algorithms are still under development, the studies presented here are using an effective description of the expected energy and spatial resolution based on the experience and simulation studies performed for comparable scintillation detectors (e.g. Ref. [19]).

The **photo electron (p.e.) yield** Y_{pe} expected for scintillation events has been determined by a simulation of 10⁵ electrons with an energy of $E = 1$ MeV inserted at the detector center. For the moment, the average result of $Y_{pe} = 283$ p.e./MeV is applied independent of event position.

Based on this, the **reconstructed event energy** is determined to first order by the effect of variations in p.e. statistics. An effective description of the baseline energy resolution is obtained by applying Gaussian smearing to the true event energy E with a standard deviation

$$\sigma_E = \frac{\sqrt{Y_{pe}E}}{Y_{pe}E} \cdot E = \sqrt{\frac{E}{Y_{pe}}} \approx 6\% \cdot \sqrt{E/\text{MeV}} \quad (1)$$

The true position of a scintillation event is taken as the energy-weighted barycenter of all corresponding energy depositions inside the LS volume:

$$\mathbf{r}_{bar} = \frac{\sum_i \epsilon_i \mathbf{r}_i}{\sum_i \epsilon_i} \quad (2)$$

Table 3 Scintillator specific light emission properties depending on the particle type [17]

Particles	Decay component 1		Decay component 2		Decay component 3		Birk's constant (g/cm ² MeV)
	w_1	τ_1 (ns)	w_2	τ_2 (ns)	w_3	τ_3 (ns)	
γ, e^-, e^+	0.799	4.93	0.171	20.6	0.03	190.0	$1.306 \cdot 10^{-2}$
n, p	0.65	4.93	0.231	34.0	0.119	220.0	$8.428 \cdot 10^{-3}$
α	0.65	4.93	0.228	35.0	0.122	220.0	$6.106 \cdot 10^{-3}$

with the deposited energy ϵ_i at position \mathbf{r}_i . Again, the **reconstructed vertex position** is obtained by an effective description of the corresponding uncertainty. The true vertex position \mathbf{r}_{bar} is smeared coordinate-wise in x , y and z by sampling from a Gaussian distribution with an energy-dependent standard deviation of

$$\sigma = \frac{\sigma_0}{\sqrt{E}} \approx \frac{14 \text{ cm}}{\sqrt{E/\text{MeV}}} \quad (3)$$

with the true event energy E . The value of $\sigma_0 = 14$ cm is scaled from the spatial resolution achieved in the Borexino experiments [19] taking into account the difference in Y_{pe} between the detectors. The corresponding three-dimensional position uncertainty is ~ 24 cm.

A preliminary **physics trigger threshold** E_{thr} has been determined based on a simulation of the signals from low-energy ^{14}C decays that will dominate the low-energy end of the OSIRIS event spectrum and the expected PMT dark noise levels. For this, a total of $2.5 \cdot 10^6$ ^{14}C events has been simulated with a uniform distribution in the LS volume. In the current implementation, the physics trigger of the EventBuilder considers the PMT hit multiplicity within a given time window (Sect. 3.7). So-called “dark triggers” may occur based on accidental coincidences of uncorrelated dark counts from several PMTs within the time window. The study shows that an acceptable dark trigger rate (< 1 Hz) can be achieved in case the trigger condition is set to 5 PMT hits within 70 ns. This corresponds to a trigger efficiency of 90% at a nominal trigger threshold of $E_{\text{thr}} \approx 36$ keV.

4.4 Background levels

The simulation framework has been used to predict the background levels from natural and cosmogenic radioactivity that will impact the OSIRIS physics analyses. For the primary objective, i.e. the determination of the U/Th background levels by detecting Bi–Po coincidence events, accidental coincidences from single-event background events play an important role. Simulations have helped to determine the required size of the water buffer surrounding the LS volume, the distance of the inner PMT array from the AV and to set radiopurity limits for all internal components of the OSIRIS detector (Sect. 4.4.1). Moreover, selection cuts for Bi–Po coincidence

events have been devised and optimized based on simulated Bi–Po signal and background spectra (Sect. 5.1.1). Finally, the time-correlated occurrence of cosmic muons and their secondary spallation products has been investigated to derive the corresponding correlated event rates and set minimum requirements for the muon veto efficiency (Sects. 3.6, 4.4.2).

4.4.1 Natural radioactivity

Most radioactive decays produce single events inside the detectors and will only emerge as a background to the Bi–Po coincidence search in case their level is sufficiently high to create a large rate of accidental coincidences. Due to the stringent radiopurity requirements set for the JUNO LS (see Sect. 5), radioactive decays inside the LS volume of OSIRIS will be relatively rare compared to the external background level [1].

External background We find that gamma rays emitted in the decays of natural radioactivity in the outer detector materials and surrounding rock are dominating the single-event spectrum. The main isotopes to consider are ^{40}K and those of ^{238}U and ^{232}Th decay chains. A corresponding study has been performed based on the biasing algorithm described in Sect. 4.1. The resulting event rates and associated energy spectra of the main contributors are shown in Table. 4 and Fig. 15. Despite 3 m of water shielding, the dominant background source are isotopes of the ^{232}Th chain (especially ^{208}Tl) in the surrounding rock, followed by the contribution of decays in the PMT glass.

Radon in the water shield The possible impact of radon dissolved in the water surrounding the AV has been investigated. Given the low radon content (≤ 1 mBq/m³) of the JUNO high-purity water that is used as a supply for the WT, the main contribution of radon inside the water shield is expected from the emanation of detector materials. To study the impact, we conservatively assume full intermixing and thus a uniform distribution of radon in the water volume. For selected materials like the Hamamatsu PMTs and the anti-corrosive paint of the water tank, radon emanation rates have been measured in dedicated setups at CENBG-Bordeaux and Shanghai JTU [20]. For some components, we use conservative upper estimates on the emanation based on the U/Th content measured

Table 4 The main contributors to the single-event background in OSIRIS. The external background from γ -emission in the surrounding rock and from PMT glass are dominating compared to a potential radon contamination of the water shield (based on [14])

Component	Isotope	Contamination (Bq/kg)	Rate in LS(s^{-1})
Rock	^{40}K	220	1.3×10^{-2}
	^{232}Th	123	3.5
	^{238}U	142	2.8×10^{-1}
PMT glass	^{40}K	1.89	2.0×10^{-2}
	^{232}Th	1.72	9.0×10^{-1}
	^{238}U	4.77	6.1×10^{-1}
Water shield	^{220}Rn	1.4×10^{-6}	1.8×10^{-2}
	^{222}Rn	4.0×10^{-5}	2.5×10^{-1}

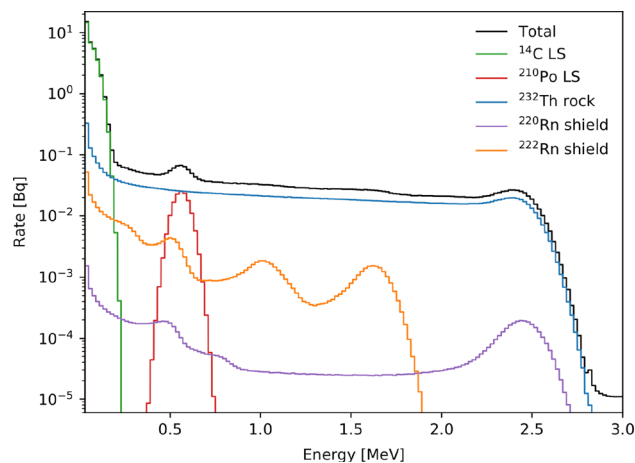
by Ge spectroscopy and assuming full emanation of the produced radon isotopes to obtain a conservative upper limit.

Based on these inputs, we have been able to derive upper limits on the eventual radon concentrations in the water that amount to $\sim 40 \text{ mBq/m}^3$ for ^{222}Rn and $\sim 1.4 \text{ mBq/m}^3$ for ^{220}Rn in water. These rates are dominated by an upper estimate for the radon emanation of the PMT cables and radon from the surrounding air diffusing through the HDPE liner of the Water Tank into the inner volume. Measurements at CENBG have demonstrated that the liner acts as an efficient barrier to radon: the 2 mm thick liner foreseen for OSIRIS reduces the ^{222}Rn activity inside the tank to 0.6% of the outside value, while ^{220}Rn is fully blocked because of its shorter half-life.

Based on the above radon concentrations and assuming full intermixing inside the water volume, all daughter isotopes in the U/Th decay chains have been simulated and the emitted γ -rays propagated into the LS volume. The resulting spectra are shown in Fig. 15 along with the other external backgrounds. At the expected emanation levels, the radon contribution is subdominant.

4.4.2 Cosmogenic background

The expected background contribution induced by cosmic muons was determined based on a simulation sample of 10^8 muons crossing the OSIRIS detector volume (including the *QGSP_BERT_HP* physics list, Sect. 4.1). In the generation of the muons, the angular and energy distributions expected for the underground Scintillator Hall were taken into account. With regards to the Bi–Po coincidence search, the relevant events are generated by secondary particles from muon spallations, especially neutrons and the βn -emitting radioisotopes ^8He and ^9Li . Since their generation and capture/decay are correlated in time, their chance to mimic a fast Bi–Po-

**Fig. 15** Energy spectrum of the total background rate expected in the full LS volume including Radon contamination of the water shield. Only the contributions that define the shape are overlaid to show their influence in the different energy regions (based on [14])

coincidence is considerably enhanced compared to single-event background.

Two-neutron events The largest contribution emerges from the accidental coincidences of neutrons produced by the same primary cosmic muon. About 1% of the simulated muons produced at least one neutron to be captured on hydrogen in the LS volume, releasing a 2.2 MeV gamma-ray after a typical capture time of $\tau_n \sim 250 \mu\text{s}$. In order to mimic a Bi–Po coincidence, the gamma event of the second neutron capture must be only partially contained within the LS volume in order to fall into the energy range selected for Po decays (Sect. 5.1.1). The expected rate after the application of the Bi–Po selection cuts is $(0.125 \pm 0.008)\text{d}^{-1}$ in the LS volume.

βn -emitters The prompt β -decay of ^8He and ^9Li , followed by the emission of a neutron from ^8Li and ^9Be that is subsequently captured on hydrogen can potentially mimic the fast coincidence signature. However, also in this case the n -capture gamma must only partially deposit its energy in the

LS volume to pass the energy cut for the delayed α -decay. Hence, the expected event rate after Bi–Po selection cuts is only $\sim (7.4 \pm 0.6) \cdot 10^{-7} \text{d}^{-1}$.

Rock neutrons The two-neutron event rate can be further reduced by the application of a veto for which the muon and all subsequent events in the following milliseconds are excluded from analysis. However, neutrons may be generated as well from muons passing through the surrounding rock, in which case the parent muon cannot be detected. We analyzed the corresponding neutron rate by increasing the simulation volume to a cube of ~ 10 m to permit neutron production in the cavern rock. The expected rate of fast neutrons, arriving at the LS volume is 4.7 per day, resulting in ~ 4 captures per day. The contribution of fast neutrons to the coincident background, in combination with other neutrons or gamma photons, is negligible [21].

5 Sensitivity

Trace contaminations of radioactive isotopes in the LS represent a major background for the JUNO neutrino program. While the JUNO LS system has been devised to purify the LS to an acceptable radioactivity level, it is the main purpose of the OSIRIS detector to verify the required quality is achieved. The corresponding requirement levels are lined out in Table 5. Reference [1] describes the upper limits that have been set for the acceptable activity of isotopes in the natural uranium and thorium chains as well as individual limits for ^{85}Kr , ^{210}Po , ^{40}K and ^{14}C . For comparison, we give the radiopurity levels that have been achieved in the KamLAND and Borexino experiments [22, 23].

The contamination limits defer for the reactor antineutrino (*IBD*) and *solar* neutrino programs because of the different detection reactions. Inverse beta decays can be mimicked by nuclear (α, n) reactions on natural ^{13}C in the scintillator, the α 's originating mostly from the decay of polonium isotopes in the U/Th decay chains. Note that the secular equilibrium of both decay chains is usually broken due to the chemistry of lead and polonium in LS, requiring a separate measurement of the ^{210}Po rate (e.g. [24]). On the other hand, solar neutrino detection will be most affected by β -decaying isotopes (primarily ^{14}C , ^{85}Kr , ^{210}Bi) that form a background to elastic neutrino scattering events. Moreover, the relatively high rate of ^{14}C events (~ 1 Bq per ton of LS at 10^{-17} level) can lead to signal pile-up of the low-energy β -decays with other events. The upper limit has been set to avoid a detrimental effect on the energy scale [1].

The OSIRIS design has been optimized for sensitivity for the U/Th decay rates via the tagging of fast Bi–Po coincidence decays towards the lower end of the U/Th decay chains. Corresponding sensitivities in different operation modes of

OSIRIS are discussed in Sect. 5.1. A similar search for decay coincidences is described in Sect. 5.2 and can be used to constrain the ^{85}Kr background to about a factor 10 above the JUNO requirement. Moreover, OSIRIS will be able to monitor the levels of ^{14}C and ^{210}Po since they provide distinctive spectral features that can be identified over the external gamma-ray background (Sect. 5.3). By comparison, the sensitivity to other radioisotopes without a clear spectral signature (e.g. ^{210}Bi , ^{40}K , ^{39}Ar) will be substantially lower. OSIRIS will thus not be able to constrain them at a meaningful level for JUNO.

Note that the IBD rate in OSIRIS is expected to be small, ~ 0.06 events per day without any cuts, and is not considered, neither as a signal for extraction of any meaningful physics results nor a background, for the following studies.

5.1 Uranium and thorium chains

In a LS detector, the most sensitive direct method to determine the abundances of ^{238}U and ^{232}Th in the LS is the tagging of the fast coincidences of ^{214}Bi –Po and ^{212}Bi –Po, respectively. Governed by the short lifetimes of the polonium isotopes ($\sim \mu\text{s}$), the double-event signature offers a potent possibility to reject single-event backgrounds. Assuming secular equilibrium, the measured Bi–Po rates can be directly translated to a mass abundance of U/Th. The corresponding relations are summarized in Table 6.

In this section, we firstly discuss the event selection to isolate true Bi–Po coincidences from accidental backgrounds (Sect. 5.1.1). We then regard the most simple case in which the assumption of secular equilibrium within the U/Th chains is true and OSIRIS can reach its best sensitivity (Sect. 5.1.2). However, it is clear that the Bi–Po search in OSIRIS will be beset by a background created by radon emanation in the JUNO LS system. The corresponding sensitivities in *batch-mode* and *continuous-mode* operations are discussed in the last Sects. 5.1.3 and 5.1.4.

5.1.1 Bi–Po selection cuts

The selection of Bi–Po coincidence events relies on a sequence of four consecutive cuts:

- **Fiducial Volume (FV)** While the external gamma-ray background is substantially reduced by the water shielding, the rate of external events close to the verge of the AV is enhanced compared to the bulk volume of the LS. Moreover, we expect a contribution from residual contaminations on the AV surface. Therefore, spatial reconstruction is used to define a cylindrical FV cut of 2.8 m in height and diameter for the prompt event.
- **Energy selection** The β -spectra of bismuth feature a rather broad energy spectrum, while the α -decays of

Table 5 Baseline radiopurity requirements set for JUNO in comparison to the experimental values achieved in KamLAND and Borexino [22,23,25]. Note that the limit on ⁸⁵Kr is quoted in maximum activity per LS mass (per day and kiloton)

Chain/isotope	JUNO IBD	JUNO solar	KamLAND	Borexino
²³⁸ U	1 × 10 ⁻¹⁵ g/g	1 × 10 ⁻¹⁶ g/g	(5.0 ± 0.2) × 10 ⁻¹⁸ g/g	< 1 × 10 ⁻¹⁸ g/g
²³² Th	1 × 10 ⁻¹⁵ g/g	1 × 10 ⁻¹⁶ g/g	(1.3 ± 0.1) × 10 ⁻¹⁷ g/g	< 1 × 10 ⁻¹⁸ g/g
²¹⁰ Po	–	5 × 10 ⁻²⁴ g/g	~ 2 × 10 ⁻²³ g/g	< 1 × 10 ⁻²⁵ g/g
⁴⁰ K	1 × 10 ⁻¹⁶ g/g	1 × 10 ⁻¹⁷ g/g	(7.3 ± 1.2) × 10 ⁻¹⁷ g/g	< 1 × 10 ⁻¹⁹ g/g
¹⁴ C	1 × 10 ⁻¹⁷ g/g	1 × 10 ⁻¹⁷ g/g	(3.98 ± 0.94) × 10 ⁻¹⁸ g/g	(2.7 ± 0.1) × 10 ⁻¹⁸ g/g
⁸⁵ Kr	–	500(d·kt) ⁻¹	858 ± 59(d·kt) ⁻¹	68 ± 18(d·kt) ⁻¹

Table 6 Basic parameters of Bi–Po coincidence decays and their link to U/Th concentrations

Decay chain	Mass limit (IBDs)	β–α-coincidence	Activity limit (Bq/kg)	Po lifetime (μs)
²³⁸ U	10 ⁻¹⁵ g/g	²¹⁴ Bi– ²¹⁴ Po	1.2 × 10 ⁻⁸	237
²³² Th	10 ⁻¹⁵ g/g	²¹² Bi– ²¹² Po	0.4 × 10 ⁻⁸	0.5

polonium are mono-energetic of a given isotope. As presented in Fig. 16, the visible signal is shifted to the range of 0.5–1 MeV due to quenching. In the following, the term “Bi-candidate” describes all events which are inside of the Bi selection cut, and likewise for Po events.

- **Timing cut** The third and most powerful cut to reject accidental coincidences is the time-delay cut. Given the very short lifetimes of 431 ns and 237 μs for ²¹²Po and ²¹⁴Po, respectively, most single-event backgrounds can be rejected by requiring a short time delay Δt for the detection of the subsequent Po-candidate. We conservatively assume that a minimum Δt of 200 ns is required to distinguish prompt and delayed event [14]. The upper bound is adjusted to optimize sensitivity.
- **Distance Cut** Given the low recoil energies and short Δt, both Bi and Po decays will occur at virtually identical positions, smeared out by position reconstruction. Accidental coincidences, conversely, can be expected to be more or less randomly distributed over the entire FV. Imposing a maximum value for the distance Δr between Po and Bi candidates efficiently rejects accidental backgrounds while keeping most of the signal.

The corresponding parameter ranges and efficiencies of the selection cuts are listed in Table 7. Assuming a contamination level of 10⁻¹⁵ g/g for uranium (thorium) and applying the event selection cuts, we expect to identify $\dot{n}_{\text{Bi-Po}} = 11$ (4) coincidence events per day for ²¹⁴Bi–Po (²¹²Bi–Po), while the corresponding residual background is $\dot{n}_{\text{acc}} = 1.14$ (0.04) accidental coincidences per day.

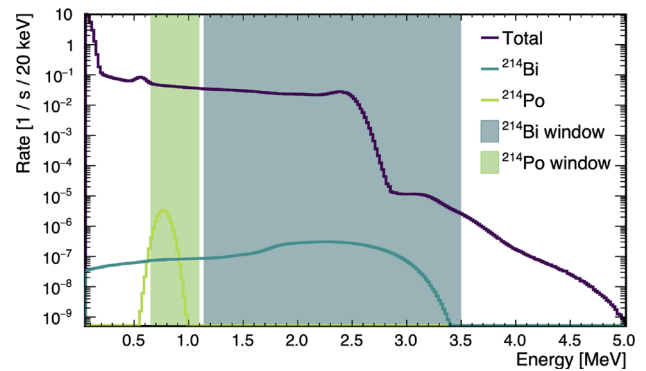


Fig. 16 Bi–Po coincidences are found based on a sequence of selection cuts. Here, we display the energy selection cuts for prompt and delayed events as well as the underlying signal and background spectra for ²¹⁴Bi–Po

5.1.2 Basic statistical analysis

The sensitivity of OSIRIS to a radon contamination in the LS is defined as the signal rate of Bi–Po decays for which the selected coincidence rate \dot{n}_{BiPo} exceeds the level of background fluctuation from accidental coincidences \dot{n}_{acc} on a 90% confidence level (CL). This sensitivity depends on the absolute number of detected events

$$n(T) = (\dot{n}_{\text{BiPo}} + \dot{n}_{\text{acc}}) \cdot T \tag{4}$$

and thus on the measuring time T [14]. For short $T = \mathcal{O}(1\text{day})$, the expected low values of $n(T)$ forbid the use of Gaussian approximations and necessitate a more careful calculation of the corresponding upper limits on \dot{n}_{BiPo} . Therefore, we adopt the strategy for sensitivity determination of a counting experiment as described in Ref. [26]. The corre-

Table 7 Efficiencies of the different data selection cuts (see text). The fiducial volume is defined as a cylinder of 2.8 m height and diameter, $E_{\text{Bi},\text{Po}}$ are the energy windows selected for prompt and delayed decays,

Δt and Δr are time and distance cuts. For the latter, the numbers in brackets represent the rejection efficiency for accidental coincidences

Cut	$^{212}\text{Bi-Po}$		$^{214}\text{Bi-Po}$	
	Range	Efficiencies (%)	Values	Efficiencies (%)
FV	< 140 cm	–	< 140 cm	–
E_{Bi}	0.14–2.5 MeV	98	1.4–3.5 MeV	83
E_{Po}	0.9–1.5 MeV	100	0.7–1.1 MeV	99
Δt	0.2–2 μs	62	0.2–711 μs	95
Δr	< 72.5 cm	98 (94)	< 45 cm	88 (98)
Total		60		69

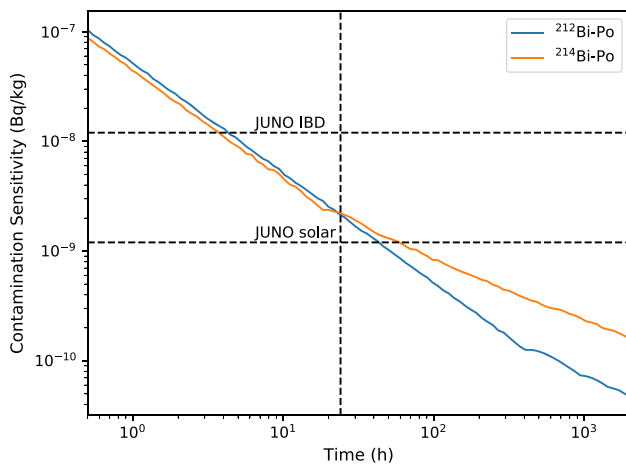


Fig. 17 Sensitivity of OSIRIS as a function of the measurement time for the $^{212}\text{Bi-Po}$ (blue) and $^{214}\text{Bi-Po}$ (orange) coincidence searches. The fluctuations in the curves reflect the innate uncertainty of the Monte-Carlo method (see text). Within a few hours, OSIRIS can verify the JUNO IBD requirement. In order to confirm the contamination level of the JUNO solar requirement, a measurement longer than 1 day is needed

sponding sensitivity curves for a 90% confidence level are shown in Fig. 17.

In the most basic scenario, we assume that the U/Th decay chains are in secular equilibrium. This means that the limit on the Bi-Po rate \dot{n}_{BiPo} can be directly interpreted as a limit on the corresponding U/Th decay rate $\dot{n}_{\text{U/Th}}$ that can be converted to a mass limit as illustrated in Table 6. Based on this, *IBD-level* radiopurity (i.e. 10^{-15} g/g of U/Th) can be tested within several hours. Instead, a few days are needed to approach the *solar level* of 10^{-16} g/g. The U sensitivity is slightly better for short times T because of the higher selection efficiency. However, the Th analysis remains for a longer time in the background-free regime. Thus, the sensitivity surpasses that of U for $T > 1$ day.

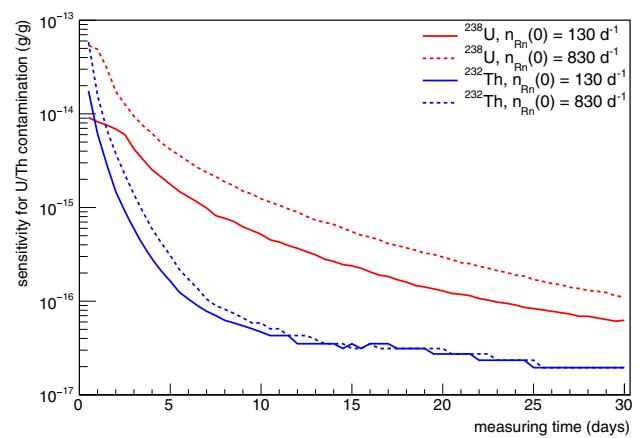


Fig. 18 Sensitivity to U/Th in the presence of an initial radon contamination $Rn(0)$. An upper limit on the constant U/Th-supported term is derived from a time fit to the observed Bi-Po-rate, taking the known decay profiles of $^{222}\text{Rn}/^{220}\text{Rn}$ into account

5.1.3 Batch-mode operation

In the basic analysis, we have neglected the presence of correlated backgrounds, most noteworthy a radon contamination in the LS that is not in secular equilibrium with the U/Th decay chain. The relevant radon isotopes, i.e. ^{222}Rn for ^{238}U and ^{220}Rn for ^{232}Th , are relatively short lived. So, they do not pose a threat to the JUNO physics program. However, their short-term decays represents an additional source of Bi-Po coincidences for OSIRIS that is superimposed to U/Th-supported Bi-Po rate. Correct treatment of this off-equilibrium component is crucial to obtain a reliable U/Th contamination estimate.

Radon will emanate from the surfaces of all pipes and vessels coming into contact with LS on its way through the JUNO filling system. Moreover, gas leakage at valves and connections will add a low amount of radon from the ambient air. From estimates based on the system surfaces, emanation and leakage rates, the radon contamination expected during JUNO filling is on the order of 7–45 decays per day and

ton, corresponding to an initial rate of $\dot{n}_{\text{Rn}}(0) = 130 - 830$ counts per day in the OSIRIS LS volume. This is 1–2 orders of magnitude larger than the aimed for U/Th induced decay rates, thus severely affecting short-term sensitivity.

A possibility to overcome this problem for a given LS sample is an extended measurement campaign with $T \geq \tau_i$ that provides for a visible decay of the radon component. The relevant decay times are $\tau_{222} = 5.5$ days of ^{222}Rn in the case of the U chain and $\tau_{220} = 15$ h of ^{212}Pb for the Th chain. We assume that at the start of such a *batch-mode* measurement, the total LS within the AV volume is replaced with a fresh batch of LS on a relatively short time scale of less than 1 day. This batch of LS is then kept inside the AV for a period T of several days or weeks. The Bi–Po rate induced by radon, $\dot{n}_{\text{Rn}}(t) = \dot{n}_{\text{Rn}}(0) \exp(-t/\tau_i)$, will decay over time, while the U/Th-fed rate $\dot{n}_{\text{U,Th}}$ will remain constant.

In principle, the sensitivity will slowly improve with T when applying a simple counting analysis as described in Sect. 5.1.2 based on the improving ratio of $n_{\text{U,Th}}(T)$ to $n_{\text{Rn}}(T)$. Here, however, we apply a different approach that exploits the known time behavior of the radon background. This can be achieved by a time-dependent fit to the observed coincidence rate

$$\dot{n}_{\text{BiPo}}(t) = \dot{n}_{\text{U,Th}} + \dot{n}_{\text{Rn}}(0) \cdot \exp\left(-\frac{t}{\tau_{220}/2}\right). \quad (5)$$

To determine the median sensitivity, we assume an Asimov data set with an initial Rn rate $\dot{n}_{\text{Rn}}(0)$ of 100 (300) counts per day and both a constant U/Th-supported rate $\dot{n}_{\text{U,Th}} \sim 0$ and an accidental background rate set to the expectation value \dot{n}_{acc} . $\dot{n}_{\text{U,Th}}$ and $\dot{n}_{\text{Rn}}(0)$ are the free fit parameters. As expected, we find the median result for $\dot{n}_{\text{U,Th}}$ compatible

with 0, and use the corresponding fit uncertainty to derive a (one-sided) upper limit.

Figure 18 shows the resulting U/Th sensitivity (90% CL) as a function of the measuring time T . For $\dot{n}_{\text{Rn}}(0) = 130$, setting an upper limit on the U (Th) rate corresponding to the *IBD level* will take 7 (2.5) days, while for *solar-level* sensitivity 22 (6) days are required.

5.1.4 Continuous operation

While we expect that measuring times of several weeks for a single LS batch can be realized during the commissioning phase, this is not practical during the JUNO filling phase. Instead, we foresee a *continuous-mode* measurement, where fresh LS will be constantly fed from the top into the AV while already screened LS will be drained from the AV bottom at the same rate (Sect. 3.3). Since at a flow rate of $1 \text{ m}^3/\text{h}$ the LS passage time through the AV amounts to almost a day, the secondary Bi–Po rate supported by radon will partially decay while traveling from top to bottom of the AV. A reduction by 17% (80%) is expected for ^{222}Rn (^{220}Rn).

This decay pattern can be used to distinguish the height-dependent radon-induced Bi–Po-rate $\dot{n}_{\text{Rn}}(z)$ from the z -independent U/Th-fed coincidence rate $\dot{n}_{\text{U,Th}}$. The underlying analysis method is quite similar to that in batch-mode operation (Sect. 5.1.3). Assuming a time-constant flow speed of individual LS layers in the AV, the reconstructed vertex height z of Bi–Po coincidences can be mapped equivalently to a time coordinate t . In Fig. 19a, the fiducial volume is split into 14 layers of 20 cm thickness to form a height histogram of the ^{212}Bi –Po count rate. By averaging over the Bi–Po rates registered within a day in those layers and then fitting with an effective exponential decay (plus constant) that reflects the ^{212}Pb life time and LS flow speed this can be translated into a

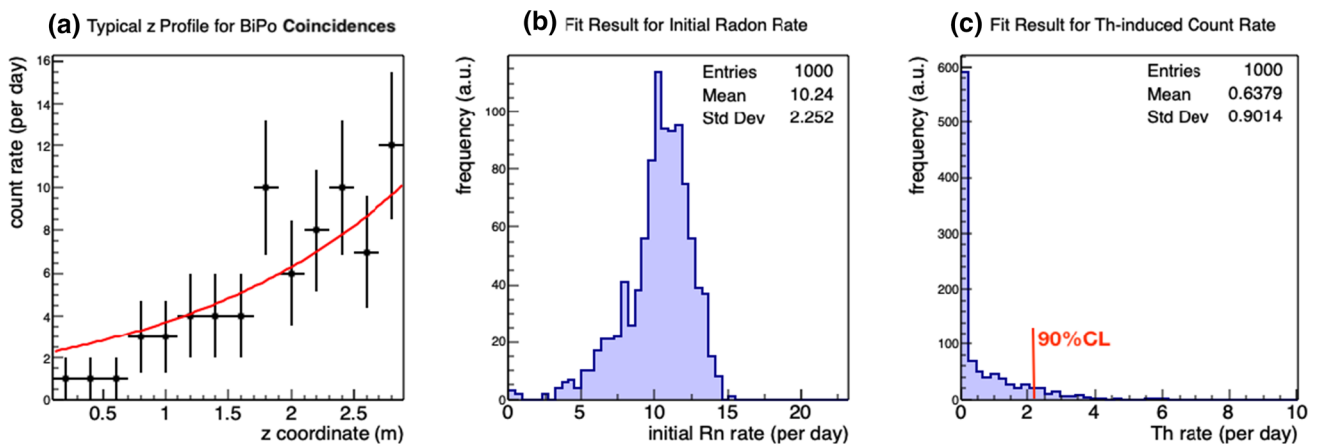


Fig. 19 Th-rate determination in *continuous-mode* operation, assuming 830 initial Rn counts per day and AV volume. The time-dependence of the ^{220}Rn decay rate is mapped on the reconstructed Bi–Po vertex

height in the AV. This height-dependence is used to fit a decaying ^{220}Rn and a z -constant Th-induced ^{212}Bi –Po decay rate

Table 8 U/Th sensitivities expected in continuous operation mode for a 24 h measurement, taking into account the initial presence of radon in the LS. The analysis uses the z-dependence of the detected Bi–Po rate introduced by radon decay. While some prior knowledge on the injected

^{222}Rn contamination is required to reach U sensitivity close to the IBD level, ^{220}Rn decays sufficiently fast to show a distinct height gradient, permitting a high-quality limit on the Th contamination

Initial Rn rate	Limit on ^{238}U		Limit on ^{232}Th	
	130 d ⁻¹	830 d ⁻¹	130 d ⁻¹	830 d ⁻¹
Rn prior				
None	$7 \cdot 10^{-15}$ g/g	$4 \cdot 10^{-14}$ g/g	$6 \cdot 10^{-15}$ g/g	$1.4 \cdot 10^{-14}$ g/g
100%	$3 \cdot 10^{-15}$ g/g	$2.6 \cdot 10^{-14}$ g/g	$5 \cdot 10^{-15}$ g/g	$1.4 \cdot 10^{-14}$ g/g
10%	$1.0 \cdot 10^{-15}$ g/g	$3 \cdot 10^{-15}$ g/g	$3 \cdot 10^{-15}$ g/g	$9 \cdot 10^{-15}$ g/g

Table 9 Efficiencies of the different data selection cuts for the ^{85}Kr measurement. As in the Bi–Po selection, Δt and Δr are time and distance cuts. For the latter, the numbers in brackets represent the rejection efficiency for accidental coincidences. The reduced efficiency for the prompt energy selection is caused by the instrumental trigger threshold of 5 hits in 70 ns

Cut	$^{85}\text{Kr-Rb}$	
	Values	Efficiencies (%)
FV	< 150 cm	–
E_{prompt}	<0.2 MeV	70
E_{delayed}	0.36–0.50 MeV	83
Δt	0.35–4.76 μs	74
Δr	< 150 cm	84 (63)
Total		36

time-dependent decay. Panels (b) and (c) of Fig. 19 show the results for Rn and Th-induced Bi–Po rates per slice assuming $\dot{n}_{\text{Rn}} = 830 \text{ d}^{-1}$ and $\dot{n}_{\text{U/Th}} \sim 0$. The expected corresponding upper limit on the ^{232}Th contamination for 90% CL translates to $1.4 \cdot 10^{-14}$ g/g level, or $6 \cdot 10^{-15}$ g/g if $\dot{n}_{\text{Rn}} = 130 \text{ d}^{-1}$.

The situation can be somewhat improved if the initial radon inflow is time-stable enough to provide a solid prediction of the amount of off-equilibrium radon present in the LS. If the time fit of Eq. (5) is further refined to include a penalty term for the initial radon rate at the 100% level (i.e. assuming that the radon rate does not vary by more than a factor 2 from day to day), the corresponding sensitivity improves to a few times 10^{-15} g/g for both U/Th. If the prior can be lowered to 10%, e.g. based on dedicated long-term batch measurements, the limit would come close to 10^{-15} g/g. This means that even in continuous mode, OSIRIS can maintain a U/Th sensitivity close to the IBD level.

Despite its lower sensitivity, *continuous-mode* operation is preferable to *batch-mode* measurements during the filling phase. Only this real-time monitoring mode can provide a timely warning in case a purification plant loses efficiency in U/Th removal or a sudden air leak dramatically increases the amount of radioactive noble gases (and especially radon) dissolved in the LS. While OSIRIS will at first only be able

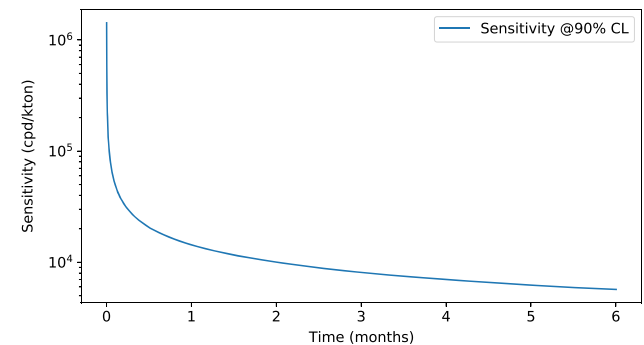


Fig. 20 The 90% CL sensitivity of OSIRIS to a contamination by ^{85}Kr in dependence of the measurement time. The maximum time of 6 months shown in this plot is the total duration of the JUNO detector filling with the LS

to issue an unspecific alarm to stop the filling process, the pre-detector can help as well to localize the source of pollution within the system. The JUNO main LS line offers the possibility to bypass subsystems so that OSIRIS can sample LS from different plants and pipe sections. Moreover, the detection of secondary contaminants (like ^{85}Kr , see below) will help to distinguish air leaks from other contamination events.

5.2 ^{85}Kr contamination

The krypton isotope ^{85}Kr is a β -emitter with an endpoint energy of 687 keV in the major decay branch with a branching ratio $\Gamma \sim 99.57\%$. Its spectral shape and the expected rate is similar to the electron recoil spectrum of solar ^7Be neutrinos and is therefore an important background to be considered in the solar analysis of JUNO [1]. The man-made isotope is released in the reprocessing of nuclear fuels and features an atmospheric abundance of about 1 Bq/m^3 [27]. Therefore, even minor exposures of the LS to the ambient air during processing can lead to a significant contamination of the LS with ^{85}Kr .

With a low branching ratio of $\Gamma \sim 0.4\%$, ^{85}Kr undergoes a β -decay with an endpoint energy of 173 keV to the meta-

stable state ^{85m}Rb . This ^{85m}Rb state has a mean life of $2.06\ \mu\text{s}$ before it decays to the ground state of ^{85}Rb under emission of a $514\ \text{keV}$ gamma-ray. Selecting fast coincidence events of the prompt β -decay and the subsequent gamma significantly suppresses other single-event backgrounds and can be used to determine the contamination level of ^{85}Kr in the LS. This method has been successfully employed in Borexino and is here applied to estimate the sensitivity of OSIRIS (Table 8).

To identify delayed coincidences from ^{85}Kr decay, we apply a selection strategy similar to the Bi–Po analysis presented in Sect. 5.1. The corresponding cut values are shown in Table 9. However, there is a complication: while Po decays and a large fraction of the Bi-spectra are well above the detection threshold of OSIRIS, this is not the case for the low-energy prompt event of ^{85}Kr coincidences. Hence, we don't set a lower limit on the prompt energy selection. We carefully evaluate the trigger efficiency, assuming a baseline trigger threshold of 5 hits in 70 ns (Sect. 3.7). The corresponding selection efficiency is 70%. It is worth to note that this efficiency can be increased if a pre-trigger DAQ-window of $5\ \mu\text{s}$ is introduced. In this case, a trigger will in all cases be issued by the delayed gamma event, permitting to find a sub-threshold prompt signal by a backward-search in the pre-trigger window.

In the default mode (i.e. without the pre-trigger window), we determine the background rate of accidental coincidences to 2.7 events per day. Based on this background rate, Fig. 20 shows the estimated sensitivity (90% CL) as a function of time. OSIRIS will reach a sensitivity of $\sim 10^5\ (\text{d}\cdot\text{kt})^{-1}$ within 1 day of measuring. For an extended measurement (i.e. for a data sample integrated over the complete filling time of JUNO), this limit can be reduced to $6 \times 10^3\ (\text{d}\cdot\text{kt})^{-1}$ within 6 months time. This is still about an order of magnitude above the JUNO baseline requirement of $500\ (\text{d}\cdot\text{kt})^{-1}$ for the ^{85}Kr contamination (Table 5).

Despite its limited sensitivity, a search for ^{85}Kr coincidences still provides an important diagnostic tool to identify an air leak. As in the case of a malfunction of one of the JUNO LS purification plants, an air leak will first be noted by a sudden increase in the detected Bi–Po rates, caused by the introduction of ^{220}Rn and ^{222}Rn from the ambient air. However, only an air leak will at the same time feature an increase in ^{85}Kr contamination levels. Typical activity levels a $100\ \text{Bq}/\text{m}^3$ of air for radon and $1\ \text{Bq}/\text{m}^3$ for ^{85}Kr . Depending on the magnitude of the air leak, a corresponding analysis might thus help to identify the source of the contamination.

Finally, a constraint on the ^{85}Kr concentration can be used to extrapolate a meaningful limit on the ^{39}Ar contamination in the LS. The argon isotope undergoes a feature-less β decay and thus cannot be directly detected by OSIRIS. However, at atmospheric concentration levels, the activity of ^{39}Ar ($\sim 10\ \text{mBq}/\text{m}^3$) is about a factor 100 lower than that of ^{85}Kr . Assuming that this relative ratio in air is approximately pre-

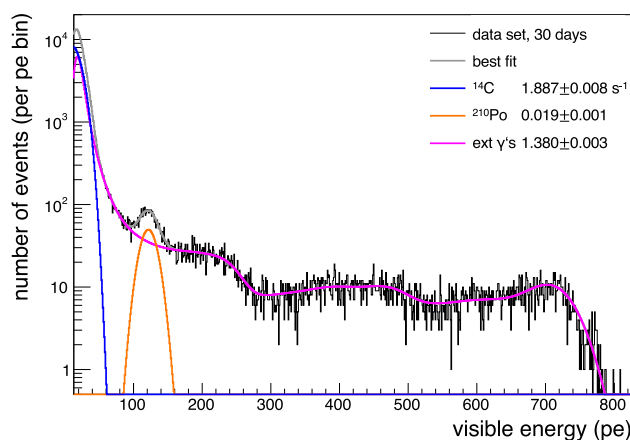


Fig. 21 Sample photoelectron (p.e.) spectrum for OSIRIS, applying a fiducial volume cut to the innermost cylindrical volume of 1 m height and diameter for internal signals. The spectral contributions of ^{14}C and ^{210}Po emerge above the otherwise dominant external γ background level. Corresponding rates can therefore be extracted via a spectral fit at %-level precision. In this plot, we assume a ^{14}C abundance of 10^{-18} . ^{210}Po is set to the minimum requirement defined for JUNO solar neutrino analysis, i.e. 80 decay per day and ton. The external background level has been determined by simulation (Sect. 4)

served when dissolving the noble gases in LS, an upper limit on the ^{85}Kr contamination can thus be translated to an ^{39}Ar limit. For a 6-month measurement, the corresponding sensitivity for the ^{39}Ar rate is $60\ (\text{d}\cdot\text{kt})^{-1}$. This level is sufficient to assure that ^{39}Ar plays no relevant role as a background for solar neutrino detection in JUNO.

5.3 ^{14}C and ^{210}Po contaminations

Unlike in the case of the U/Th chain isotopes, the contamination levels of the LS for ^{14}C and ^{210}Po have to be determined based on the single event spectrum. A corresponding spectrum is shown in Fig. 21, assuming a ^{14}C rate corresponding to a relative abundance of 10^{-18} and the ^{210}Po rate specified as baseline requirement for the JUNO solar neutrino program at $5 \times 10^{-24}\ \text{g}/\text{g}$. For illustration we choose here a relatively long measuring period (30 days) while restricting the fiducial volume to a central cylinder of 1 m height and diameter. The spectral features generated by ^{14}C and ^{210}Po are thus easily visible.

^{210}Po emits α particles with an energy of 5.5 MeV, that due to quenching will appear as a characteristic line of about 0.5 MeV in the spectrum. As shown in Fig. 21), the ^{210}Po decay rate could be determined at 4% precision in a long batch-mode run.

The sensitivity to detect low ^{210}Po abundances can be improved by applying α/β pulse shape discrimination (PSD). While the PSD capabilities of OSIRIS have not yet been studied in detail, the potential benefit can be estimated based on the PSD properties of a JUNO-like LS reported in Ref.

[28]. At the visible energy of the ^{210}Po peak (~ 135 p.e.), the Gatti method can distinguish α and β events with a factor of merit $D = 2.3$ as defined in Ref. [28]. That means that a discrimination threshold that maintains a signal efficiency of 50% for α events will suppress about $\sim 99\%$ of the β events in this energy range. We find that for a short day-long run (corresponding to continuous monitoring) and a cylindrical fiducial volume of 2 m height and diameter, the minimum ^{210}Po abundance detectable is about 1×10^{-24} g/g (0.4×10^{-24} g/g) without (with) PSD at 95% CL.

^{14}C . Already at an abundance of 10^{-18} relative to ^{12}C in the LS, ^{14}C will dominate the event rate in the very low energy-end of the spectrum. It reaches par with the expected external gamma background level at a few times 10^{-19} . This is well below the JUNO requirement of 10^{-17} . An exact rate measurement will depend less on the available event statistics but on the systematic understanding of the spectral shapes of γ backgrounds and ^{14}C that are used in the fit.

In conclusion, both backgrounds can be easily identified even if they are at or somewhat below the JUNO requirement levels. Precise measurements of the corresponding decay rates can be expected. However, single backgrounds that are β -decays and do not feature distinctive spectral shapes are more difficult to determine. Studies will be resumed once experimental data becomes available.

6 Conclusions

The OSIRIS facility serves as the last stage in the purification chain of JUNO, measuring the residual radioactivity of the LS before being injected into the JUNO Central Detector. OSIRIS will provide valuable information on the efficiency of the purification chain and issue a timely alert in case problems occur with the radiopurity of the LS. In this article, we have given a detailed overview of the technical design of the OSIRIS detector. It has been optimized to screen the LS to the required purity levels of U/Th within days for *IBD-level* ($\leq 10^{-15}$ g/g) and 2–3 weeks for *solar-level* radiopurities ($\leq 10^{-16 \div 17}$ g/g). The final sensitivity and required measurement time depend on the level of radon emanation in the components of the purification chain and in liquid handling system. Further radio-isotopes that are expected to contaminate the LS are within reach of OSIRIS: excellent sensitivity will be achieved for the distinctive ^{14}C and ^{210}Po backgrounds. Moreover, OSIRIS will be able to trace air leaks in the JUNO filling system based on ^{85}Kr and set indirect limits on the ^{39}Ar contamination of the LS.

The detector facility has the potential for a broader application once the LS filling of the JUNO Central Detector has been completed. Based on the existing detector geometry and the close-by LS purification system, OSIRIS can serve as test bench for the further development of liquid scintillators for JUNO and other applications. Both the energy resolution and the external gamma-ray shielding of the detector could be improved with relatively minor upgrades. These potentially open the path to test metal-loaded LS for a future $0\nu\beta\beta$ programme of JUNO or even a precision measurement of the solar pp neutrino flux within the OSIRIS setup. Corresponding studies are on-going.

Acknowledgements We are grateful for the ongoing cooperation from the China General Nuclear Power Group. This work was supported by the Chinese Academy of Sciences, the National Key R&D Program of China, the CAS Center for Excellence in Particle Physics, Wuyi University, and the Tsung-Dao Lee Institute of Shanghai Jiao Tong University in China, the Institut National de Physique Nucléaire et de Physique de Particules (IN2P3) in France, the Istituto Nazionale di Fisica Nucleare (INFN) in Italy, the Italian-Chinese collaborative research program MAECI-NSFC, the Fond de la Recherche Scientifique (F.R.S-FNRS) and FWO under the “Excellence of Science – EOS” in Belgium, the Conselho Nacional de Desenvolvimento Científico e Tecnológico in Brazil, the Agencia Nacional de Investigacion y Desarrollo in Chile, the Charles University Research Centre and the Ministry of Education, Youth, and Sports in Czech Republic, the Deutsche Forschungsgemeinschaft (DFG), the Helmholtz Association, and the Cluster of Excellence PRISMA+ in Germany, the Joint Institute of Nuclear Research (JINR) and Lomonosov Moscow State University in Russia, the joint Russian Science Foundation (RSF) and National Natural Science Foundation of China (NSFC) research program, the MOST and MOE in Taiwan, the Chulalongkorn University and Suranaree University of Technology in Thailand, and the University of California at Irvine in USA.

Data Availability Statement This manuscript has no associated data or the data will not be deposited. [Authors’ comment: The sensitivity calculation in this work was based on Monte Carlo studies with the JUNO software, thus no data will be deposited.]

Open Access This article is licensed under a Creative Commons Attribution 4.0 International License, which permits use, sharing, adaptation, distribution and reproduction in any medium or format, as long as you give appropriate credit to the original author(s) and the source, provide a link to the Creative Commons licence, and indicate if changes were made. The images or other third party material in this article are included in the article’s Creative Commons licence, unless indicated otherwise in a credit line to the material. If material is not included in the article’s Creative Commons licence and your intended use is not permitted by statutory regulation or exceeds the permitted use, you will need to obtain permission directly from the copyright holder. To view a copy of this licence, visit <http://creativecommons.org/licenses/by/4.0/>. Funded by SCOAP³.

Appendix A: Layout of the liquid scintillator hall

See Figs. 22 and 23.

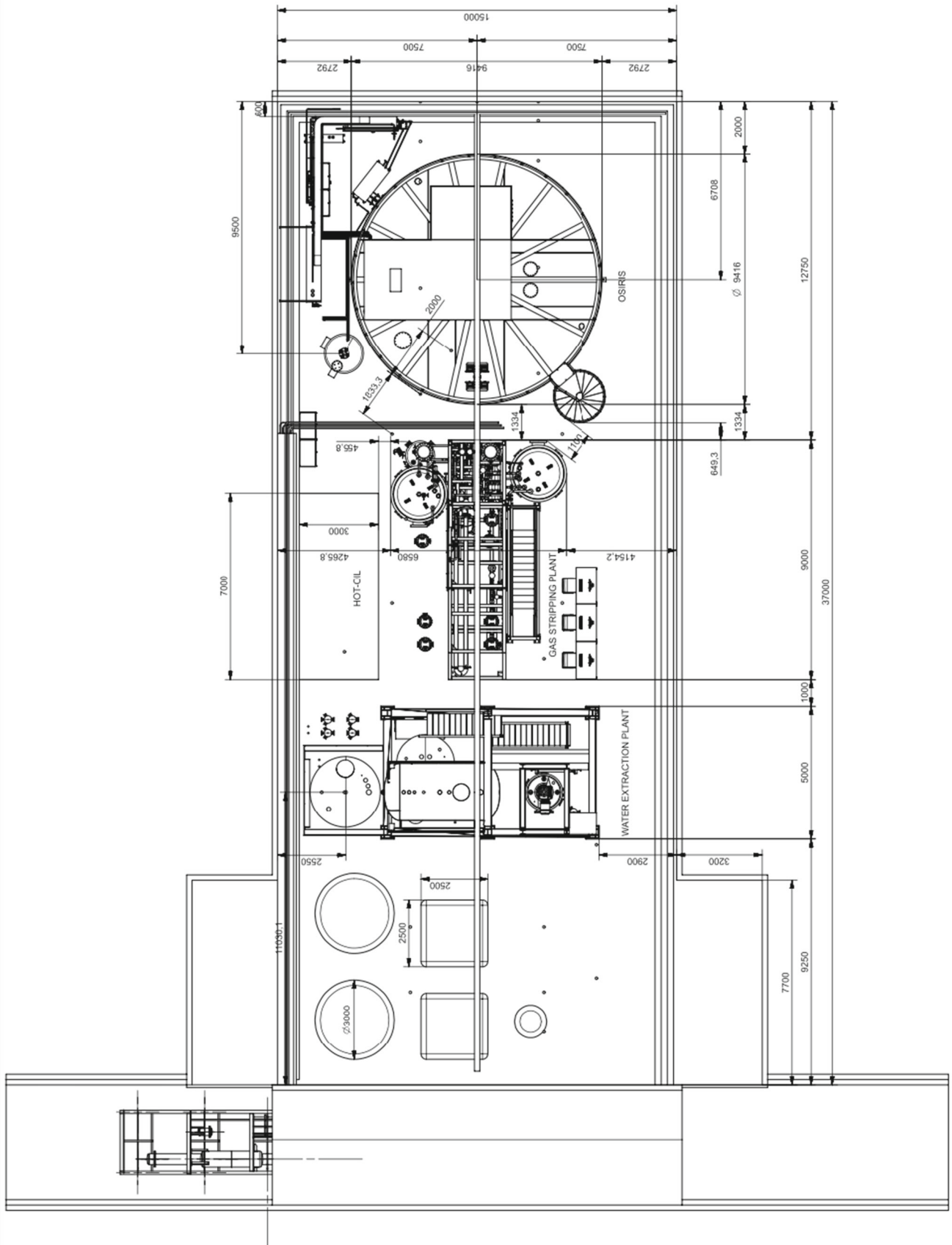
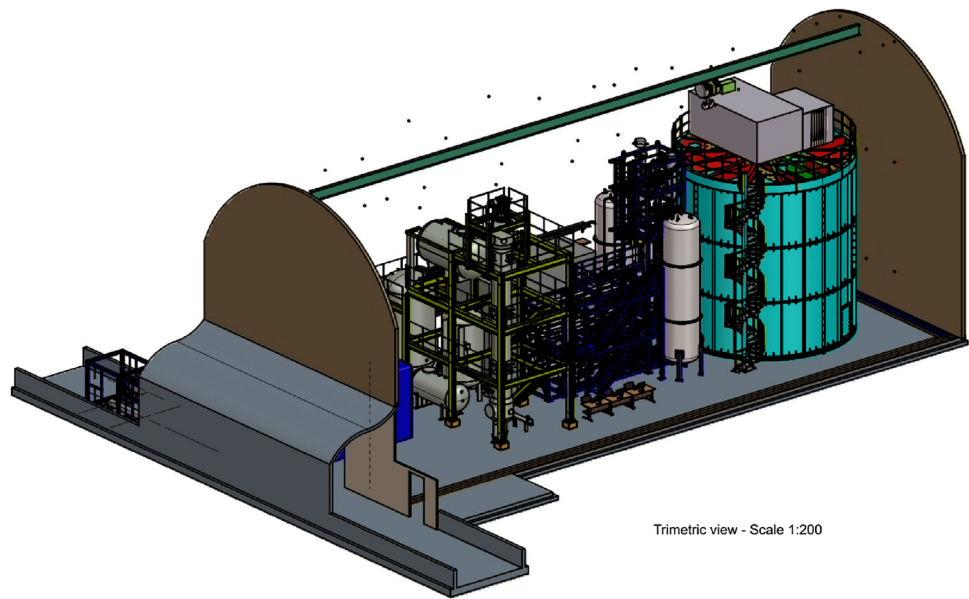


Fig. 22 Layout of the underground Liquid Scintillator Hall. OSIRIS is located at the back of the hall, next to the Stripping Plant

Fig. 23 Isoview of the underground Liquid Scintillator Hall. OSIRIS is located at the back of the hall, next to the Stripping Plant



References

1. F. An et al., *J. Phys. G* **43**(3), 030401 (2016). <https://doi.org/10.1088/0954-3899/43/3/030401>
2. A. Abusleme et al., *Nucl. Instrum. Methods A* **988**, 164823 (2021). <https://doi.org/10.1016/j.nima.2020.164823>
3. G. Alimonti et al., *Astropart. Phys.* **8**, 141 (1998). [https://doi.org/10.1016/S0927-6505\(97\)00050-9](https://doi.org/10.1016/S0927-6505(97)00050-9)
4. J. Liu, B. Cai, R. Carr, D. Dwyer, W. Gu, G. Li, X. Qian, R. McKewon, R. Tsang, W. Wang, F. Wu, C. Zhang, *Nucl. Instrum. Methods Phys. Res. Sect. A Accel. Spectrom. Detect. Assoc. Equip.* **750**, 19 (2014). <https://doi.org/10.1016/j.nima.2014.02.049>
5. M. Bellato, A. Bergnoli, A. Brugna, S. Chen, Z. Chen, B. Clerbaux, F. dal Corso, D. Corti, J. Dong, G. Galet et al., *Nucl. Instrum. Methods Phys. Res. Sect. A Accel. Spectrom. Detect. Assoc. Equip.* **985**, 164600 (2021). <https://doi.org/10.1016/j.nima.2020.164600>
6. P. Muralidharan, Digital signal processing and mixed signal control of receiver circuitry for large-scale particle detectors. Ph.D. thesis, Universität Duisburg-Essen (2021)
7. Experimental physics and industrial control system. <http://www.aps.anl.gov/epics/>
8. T. Adam, et al. JUNO conceptual design report (2015)
9. B.K. Lubsandorzhev, Y.E. Vyatchin, *J. Instrum.* **1**(06), T06001 (2006). <https://doi.org/10.1088/1748-0221/1/06/t06001>
10. M.A. Hejny V., Hartmann M. Rootsorter: a new analysis framework for anke. IKP Annual Report (2002)
11. S. Agostinelli et al., *Nucl. Instrum. Methods Phys. Res. Sect. A Accel. Spectrom. Detect. Assoc. Equip.* **506**(3), 250 (2003). [https://doi.org/10.1016/s0168-9002\(03\)01368-8](https://doi.org/10.1016/s0168-9002(03)01368-8)
12. I. Antcheva et al., *Comput. Phys. Commun.* **180**, 2499 (2009). <https://doi.org/10.1016/j.cpc.2009.08.005>
13. L. Lönnblad, *Comput. Phys. Commun.* **84**(1–3), 307 (1994). [https://doi.org/10.1016/0010-4655\(94\)90217-8](https://doi.org/10.1016/0010-4655(94)90217-8)
14. C. Genster, Software and hardware development for the next-generation liquid scintillator detectors junos and osiris. Ph.D. thesis, RWTH Aachen University (2019)
15. G. Bellini et al., *JCAP* **08**, 049 (2013). <https://doi.org/10.1088/1475-7516/2013/08/049>
16. S. Abe et al., *Phys. Rev. C* **81**, 025807 (2010). <https://doi.org/10.1103/PhysRevC.81.025807>
17. H. Rebber, L. Ludhova, B.S. Wonsak, Y. Xu, *JINST* **16**(01), P01016 (2021). <https://doi.org/10.1088/1748-0221/16/01/P01016>
18. C. Jollet, A. Meregaglia, *Nucl. Instrum. Methods Phys. Res. Sect. A Accel. Spectrom. Detect. Assoc. Equip.* **949**, 162904 (2020). <https://doi.org/10.1016/j.nima.2019.162904>
19. G. Bellini et al., *Phys. Rev. D* (2014). <https://doi.org/10.1103/physrevd.89.112007>
20. C. Cerna, B. Soulé, F. Perrot, *AIP Conf. Proc.* **1672**(1), 050002 (2015). <https://doi.org/10.1063/1.4927987>
21. L. Bieger, Erweiterung des OSIRIS Software-Frameworks zur Analyse von Myon-induziertem Neutronenuntergrund. Bachelor's thesis, Eberhard Karls Universität Tübingen (2020)
22. A. Gando et al., *Phys. Rev. C* **92**(5), 055808 (2015). <https://doi.org/10.1103/PhysRevC.92.055808>
23. M. Agostini et al., *Nature* **562**(7728), 505 (2018). <https://doi.org/10.1038/s41586-018-0624-y>
24. M. Agostini et al., *Nature* **587**, 577 (2020). <https://doi.org/10.1038/s41586-020-2934-0>
25. G. Keefer, *AIP Conf. Proc.* **1338**, 175 (2011). <https://doi.org/10.1063/1.3579578>
26. G. Cowan, K. Cranmer, E. Gross, O. Vitells, *Eur. Phys. J. C* (2011). <https://doi.org/10.1140/epjc/s10052-011-1554-0>
27. O. Ross, J. Ahlsweide, R. Annewandter, M.B. Kalinowski, S. Rast, K.H. Schluenzen, Simulations of atmospheric krypton-85 to assess the detectability of clandestine nuclear reprocessing. Tech. rep., International Atomic Energy Agency (IAEA) (2010). IAEA-CN-184
28. P. Lombardi, F. Ortica, G. Ranucci, A. Romani, *Nucl. Instrum. Methods A* **701**, 133 (2013). <https://doi.org/10.1016/j.nima.2012.10.061>

JUNO Collaboration

Angel Abusleme⁵, Thomas Adam⁴⁵, Shakeel Ahmad⁶⁶, Rizwan Ahmed⁶⁶, Sebastiano Aiello⁵⁵, Muhammad Akram⁶⁶, Fengpeng An²⁹, Guangpeng An¹⁰, Qi An²², Giuseppe Andronico⁵⁵, Nikolay Anfimov⁶⁷, Vito Antonelli⁵⁷, Tatiana Antoshkina⁶⁷, Burin Asavapibhop⁷¹, João Pedro Athayde Marcondes de André⁴⁵, Didier Auguste⁴³, Andrej Babic⁷⁰, Wander Baldini⁵⁶, Andrea Barresi⁵⁸, Davide Basilico⁵⁷, Eric Baussan⁴⁵, Marco Bellato⁶⁰, Antonio Bergnoli⁶⁰, Thilo Birkenfeld⁴⁸, Sylvie Blin⁴³, David Blum⁵⁴, Simon Blyth⁴⁰, Anastasia Bolshakova⁶⁷, Mathieu Bongrand⁴⁷, Clément Bordereau^{40,44}, Dominique Breton⁴³, Augusto Brigatti⁵⁷, Riccardo Brugnera⁶¹, Riccardo Bruno⁵⁵, Antonio Budano⁶⁴, Mario Buscemi⁵⁵, Jose Busto⁴⁶, Ilya Butorov⁶⁷, Anatael Cabrera⁴³, Hao Cai³⁴, Xiao Cai¹⁰, Yanke Cai¹⁰, Zhiyan Cai¹⁰, Antonio Cammi⁵⁹, Agustin Campeny⁵, Chuanya Cao¹⁰, Guofu Cao¹⁰, Jun Cao¹⁰, Rossella Caruso⁵⁵, Cédric Cerna⁴⁴, Jinfan Chang¹⁰, Yun Chang³⁹, Pingping Chen¹⁸, Po-An Chen⁴⁰, Shaomin Chen¹³, Xurong Chen²⁶, Yi-Wen Chen³⁸, Yixue Chen¹¹, Yu Chen²⁰, Zhang Chen¹⁰, Jie Cheng¹⁰, Yaping Cheng⁷, Alexey Chetverikov⁶⁷, Davide Chiesa⁵⁸, Pietro Chimenti³, Artem Chukanov⁶⁷, Gérard Claverie⁴⁴, Catia Clementi⁶², Barbara Clerboux², Selma Conforti Di Lorenzo⁴³, Daniele Corti⁶⁰, Salvatore Costa⁵⁵, Flavio Dal Corso⁶⁰, Olivia Dalager⁷⁴, Christophe De La Taille⁴³, Jiawei Deng³⁴, Zhi Deng¹³, Ziyang Deng¹⁰, Wilfried Depnering⁵², Marco Diaz⁵, Xuefeng Ding⁵⁷, Yayun Ding¹⁰, Bayu Dirgantara⁷³, Sergey Dmitrievsky⁶⁷, Tadeas Dohnal⁴¹, Dmitry Dolzhikov⁶⁷, Georgy Donchenko⁶⁹, Jianmeng Dong¹³, Evgeny Doroshkevich⁶⁸, Marcos Dracos⁴⁵, Frédéric Druillolle⁴⁴, Shuxian Du³⁷, Stefano Dusini⁶⁰, Martin Dvorak⁴¹, Timo Enqvist⁴², Heike Enzmann⁵², Andrea Fabbri⁶⁴, Lukas Fajt⁷⁰, Donghua Fan²⁴, Lei Fan¹⁰, Can Fang²⁸, Jian Fang¹⁰, Wenxing Fang¹⁰, Marco Fargetta⁵⁵, Dmitry Fedoseev⁶⁷, Vladko Fekete⁷⁰, Li-Cheng Feng³⁸, Qichun Feng²¹, Richard Ford⁵⁷, Andrey Formozov⁵⁷, Amélie Fournier⁴⁴, Haonan Gan³², Feng Gao⁴⁸, Alberto Garfagnini⁶¹, Christoph Genster⁵⁰, Marco Giammarchi⁵⁷, Agnese Giaz⁶¹, Nunzio Giudice⁵⁵, Maxim Gonchar⁶⁷, Guanghua Gong¹³, Hui Gong¹³, Yuri Gornushkin⁶⁷, Alexandre Göttel^{48,50}, Marco Grassi⁶¹, Christian Grewing⁵¹, Vasily Gromov⁶⁷, Minghao Gu¹⁰, Xiaofei Gu³⁷, Yu Gu¹⁹, Mengyun Guan¹⁰, Nunzio Guardone⁵⁵, Maria Gul⁶⁶, Cong Guo¹⁰, Jingyuan Guo²⁰, Wanlei Guo¹⁰, Xinheng Guo⁸, Yuhang Guo^{35,50}, Paul Hacksbacher⁵², Caren Hagner⁴⁹, Ran Han⁷, Yang Han⁴³, Muhammad Sohaib Hassan⁶⁶, Miao He¹⁰, Wei He¹⁰, Tobias Heinz⁵⁴, Patrick Hellmuth⁴⁴, Yuekun Heng¹⁰, Rafael Herrera⁵, Daojin Hong²⁸, YuenKeung Hor²⁰, Shaojing Hou¹⁰, Yee Hsiung⁴⁰, Bei-Zhen Hu⁴⁰, Hang Hu²⁰, Jianrun Hu¹⁰, Jun Hu¹⁰, Shouyang Hu⁹, Tao Hu¹⁰, Zhuojun Hu²⁰, Chunhao Huang²⁰, Guihong Huang¹⁰, Hanxiong Huang⁹, Wenhao Huang^{25a,25b}, Xin Huang¹⁰, Xingtao Huang^{25a,25b}, Yongbo Huang²⁸, Jiaqi Hui³⁰, Lei Huo²¹, Wenju Huo²², Cédric Huss⁴⁴, Safeer Hussain⁶⁶, Ara Ioannisian¹, Roberto Isocrate⁶⁰, Beatrice Jelmini⁶¹, Kuo-Lun Jen³⁸, Ignacio Jeria⁵, Xiaolu Ji¹⁰, Xingzhao Ji²⁰, Huihui Jia³³, Junji Jia³⁴, Siyu Jian⁹, Di Jiang²², Xiaoshan Jiang¹⁰, Ruyi Jin¹⁰, Xiaoping Jing¹⁰, Cécile Jollet⁴⁴, Jari Joutsenvaara⁴², Sirichok Jungthawan⁷³, Leonidas Kalousis⁴⁵, Philipp Kampmann⁵⁰, Li Kang¹⁸, Michael Karagounis⁵¹, Narine Kazarian¹, Waseem Khan³⁵, Khanchai Khosonthongkee⁷³, Denis Korabely⁶⁷, Konstantin Kouzakov⁶⁹, Alexey Krasnoperov⁶⁷, Andre Kruth⁵¹, Nikolay Kutovskiy⁶⁷, Pasi Kuusiniemi⁴², Tobias Lachenmaier⁵⁴, Cecilia Landini⁵⁷, Sébastien Leblanc⁴⁴, Victor Lebrin⁴⁷, Frederic Lefevre⁴⁷, Ruiting Lei¹⁸, Rupert Leitner⁴¹, Jason Leung³⁸, Demin Li³⁷, Fei Li¹⁰, Fule Li¹³, Haitao Li²⁰, Huiling Li¹⁰, Jiaqi Li²⁰, Mengzhao Li¹⁰, Min Li¹¹, Nan Li¹⁰, Nan Li¹⁶, Qingjiang Li¹⁶, Ruhui Li¹⁰, Shanfeng Li¹⁸, Tao Li²⁰, Weidong Li^{10,14}, Weiguo Li¹⁰, Xiaomei Li⁹, Xiaonan Li¹⁰, Xinglong Li⁹, Yi Li¹⁸, Yufeng Li¹⁰, Zhaohan Li¹⁰, Zhibing Li²⁰, Ziyuan Li²⁰, Hao Liang⁹, Hao Liang²², Jingjing Liang²⁸, Jiajun Liao²⁰, Daniel Liebau⁵¹, Ayut Limphirat⁷³, Sukit Limpijumng⁷³, Guey-Lin Lin³⁸, Shengxin Lin¹⁸, Tao Lin¹⁰, Jiajie Ling²⁰, Ivano Lippi⁶⁰, Fang Liu¹¹, Haidong Liu³⁷, Hongbang Liu²⁸, Hongjuan Liu²³, Hongtao Liu²⁰, Hui Liu¹⁹, Jianglai Liu^{30,31}, Jinchang Liu¹⁰, Min Liu²³, Qian Liu¹⁴, Qin Liu²², Runxuan Liu^{48,50}, Shuangyu Liu¹⁰, Shubin Liu²², Shulin Liu¹⁰, Xiaowei Liu²⁰, Xiwen Liu²⁸, Yan Liu¹⁰, Yunzhe Liu¹⁰, Alexey Lokhov^{68,69}, Paolo Lombardi⁵⁷, Claudio Lombardo⁵⁵, Kai Loo⁵², Chuan Lu³², Haoqi Lu¹⁰, Jingbin Lu¹⁵, Jinguang Lu¹⁰, Shuxiang Lu³⁷, Xiaoxu Lu¹⁰, Bayarto Lubsandorzhiiev⁶⁸, Sultim Lubsandorzhiiev⁶⁸, Livia Ludhova^{48,50}, Fengjiao Luo¹⁰, Guang Luo²⁰, Pengwei Luo²⁰, Shu Luo³⁶, Wuming Luo¹⁰, Vladimir Lyashuk⁶⁸, Bangzheng Ma^{25a,25b}, Qiumei Ma¹⁰, Si Ma¹⁰, Xiaoyan Ma¹⁰, Xubo Ma¹¹, Jihane Maalmi⁴³, Yury Malyskin⁶⁷, Fabio Mantovani⁵⁶, Francesco Manzali⁶¹, Xin Mao⁷, Yajun Mao¹², Stefano M. Mari⁶⁴, Filippo Marini⁶¹, Sadia Marium⁶⁶, Cristina Martellini⁶⁴, Gisele Martin-Chassard⁴³, Agnese Martini⁶³, Davit Mayilyan¹, Ints Mednieks⁶⁵, Yue Meng³⁰, Anselmo Meregaglia⁴⁴, Emanuela Meroni⁵⁷, David Meyhöfer⁴⁹, Mauro Mezzetto⁶⁰, Jonathan Miller⁶, Lino Miramonti⁵⁷, Paolo Montini⁶⁴, Michele Montuschi⁵⁶, Axel Müller⁵⁴, Pavithra Muralidharan⁵¹, Massimiliano Nastasi⁵⁸, Dmitry V. Naumov⁶⁷, Elena Naumova⁶⁷, Diana Navas-Nicolas⁴³, Igor Nemchenok⁶⁷, MinhThuan NguyenThi³⁸, Feipeng Ning¹⁰, Zhe Ning¹⁰, Hiroshi Nunokawa⁴, Lothar Oberauer⁵³, Juan Pedro Ochoa-Ricoux^{5,74}, Alexander Olshevskiy⁶⁷, Domizia Orestano⁶⁴, Fausto Ortica⁶², Rainer Othegraven⁵², Hsiao-Ru Pan⁴⁰, Alessandro Paoloni⁶³, Nina Parkalian⁵¹, Sergio Parmeggiano⁵⁷, Yatian Pei¹⁰, Nicomede Pelliccia⁶², Anguo Peng²³, Haiping Peng²², Frédéric Perrot⁴⁴, Pierre-Alexandre Petitjean², Fabrizio Petrucci⁶⁴, Oliver Pilarczyk⁵², Luis Felipe Piñeres Rico⁴⁵, Artyom Popov⁶⁹, Pascal Poussot⁴⁵, Wathan Pratumwan⁷³, Ezio Previtali⁵⁸, Fazhi Qi¹⁰, Ming Qi²⁷, Sen Qian¹⁰, Xiaohui Qian¹⁰, Zhen Qian²⁰, Hao Qiao¹², Zhonghua Qin¹⁰, Shoukang Qiu²³, Muhammad

Usman Rajput⁶⁶, Gioacchino Ranucci⁵⁷, Neill Raper²⁰, Alessandra Re⁵⁷, Henning Rebber⁴⁹, Abdel Rebi⁴⁴, Bin Ren¹⁸, Jie Ren⁹, Barbara Ricci⁵⁶, Markus Robens⁵¹, Mathieu Roche⁴⁴, Narongkiat Rodphai⁷¹, Aldo Romani⁶², Bedřich Roskovec⁷⁴, Christian Roth⁵¹, Xiangdong Ruan²⁸, Xichao Ruan⁹, Saroj Rujirawat⁷³, Arseniy Rybnikov⁶⁷, Andrey Sadovsky⁶⁷, Paolo Saggese⁵⁷, Simone Sanfilippo⁶⁴, Anut Sangka⁷², Nuanwan Sanguansak⁷³, Utane Sawangwit⁷², Julia Sawatzki⁵³, Fatma Sawy⁶¹, Michaela Schever^{50,48}, Cédric Schwab⁴⁵, Konstantin Schweizer⁵³, Alexandr Selyunin⁶⁷, Andrea Serafini⁵⁶, Giulio Settanta⁵⁰, Mariangela Settimo⁴⁷, Zhuang Shao³⁵, Vladislav Sharov⁶⁷, Arina Shaydurova⁶⁷, Jingyan Shi¹⁰, Yanan Shi¹⁰, Vitaly Shutov⁶⁷, Andrey Sidorenkov⁶⁸, Fedor Šimkovic⁷⁰, Chiara Sirignano⁶¹, Jaruchit Siripak⁷³, Monica Sisti⁵⁸, Maciej Slupecki⁴², Mikhail Smirnov²⁰, Oleg Smirnov⁶⁷, Thiago Sogo-Bezerra⁴⁷, Sergey Sokolov⁶⁷, Julanan Songwadhana⁷³, Boonrucksar Soonthornthum⁷², Albert Sotnikov⁶⁷, Ondřej Šrámek⁴¹, Warintorn Sreethawong⁷³, Achim Stahl⁴⁸, Luca Stanco⁶⁰, Konstantin Stankevich⁶⁹, Dušan Štefánik⁷⁰, Hans Steiger^{52,53}, Jochen Steinmann⁴⁸, Tobias Sterr⁵⁴, Matthias Raphael Stock⁵³, Virginia Strati⁵⁶, Alexander Studenikin⁶⁹, Gongxing Sun¹⁰, Shifeng Sun¹¹, Xilei Sun¹⁰, Yongjie Sun²², Yongzhao Sun¹⁰, Narumon Suwonjandee⁷¹, Michal Szelezniak⁴⁵, Jian Tang²⁰, Qiang Tang²⁰, Quan Tang²³, Xiao Tang¹⁰, Alexander Tietzsch⁵⁴, Igor Tkachev⁶⁸, Tomas Tmej⁴¹, Konstantin Treskov⁶⁷, Andrea Triossi⁴⁵, Giancarlo Troni⁵, Wladyslaw Trzaska⁴², Cristina Tuve⁵⁵, Nikita Ushakov⁶⁸, Johannes van den Boom⁵¹, Stefan van Waasen⁵¹, Guillaume Vanroyen⁴⁷, Nikolaos Vassilopoulos¹⁰, Vadim Vedin⁶⁵, Giuseppe Verde⁵⁵, Maxim Vialkov⁶⁹, Benoit Viaud⁴⁷, Cornelius Vollbrecht^{48,50}, Cristina Volpe⁴³, Vit Vorobel⁴¹, Dmitriy Voronin⁶⁸, Lucia Votano⁶³, Pablo Walker⁵, Caishen Wang¹⁸, Chung-Hsiang Wang³⁹, En Wang³⁷, Guoli Wang²¹, Jian Wang²², Jun Wang²⁰, Kunyu Wang¹⁰, Lu Wang¹⁰, Meifen Wang¹⁰, Meng Wang²³, Meng Wang^{25a,25b}, Ruiguang Wang¹⁰, Siguang Wang¹², Wei Wang²⁷, Wei Wang²⁰, Wenshuai Wang¹⁰, Xi Wang¹⁶, Xiangyue Wang²⁰, Yangfu Wang¹⁰, Yaoguang Wang¹⁰, Yi Wang¹³, Yi Wang²⁴, Yifang Wang¹⁰, Yuanqing Wang¹³, Yuman Wang²⁷, Zhe Wang¹³, Zheng Wang¹⁰, Zhimin Wang¹⁰, Zongyi Wang¹³, Muhammad Waqas⁶⁶, Apimook Watcharangkool⁷², Lianghong Wei¹⁰, Wei Wei¹⁰, Wenlu Wei¹⁰, Yadong Wei¹⁸, Liangjian Wen¹⁰, Christopher Wiebusch⁴⁸, Steven Chan-Fai Wong²⁰, Bjoern Wonsak⁴⁹, Diru Wu¹⁰, Fangliang Wu²⁷, Qun Wu^{25a,25b}, Zhi Wu¹⁰, Michael Wurm⁵², Jacques Wurtz⁴⁵, Christian Wysotzki⁴⁸, Yufei Xi³², Dongmei Xia¹⁷, Yuguang Xie¹⁰, Zhangquan Xie¹⁰, Zhizhong Xing¹⁰, Benda Xu¹³, Cheng Xu²³, Donglian Xu^{31,30}, Fanrong Xu¹⁹, Hangkun Xu¹⁰, Jilei Xu¹⁰, Jing Xu⁸, Meihang Xu¹⁰, Yin Xu³³, Yu Xu^{50,48}, Baojun Yan¹⁰, Taylor Yan⁷³, Wenqi Yan¹⁰, Xiongbo Yan¹⁰, Yupeng Yan⁷³, Anbo Yang¹⁰, Changgen Yang¹⁰, Huan Yang¹⁰, Jie Yang³⁷, Lei Yang¹⁸, Xiaoyu Yang¹⁰, Yifan Yang¹⁰, Yifan Yang², Haifeng Yao¹⁰, Zafar Yasin⁶⁶, Jiakuan Ye¹⁰, Mei Ye¹⁰, Ziping Ye³¹, Ugur Yegin⁵¹, Frédéric Yermia⁴⁷, Peihuai Yi¹⁰, Na Yin^{25a,25b}, Xiangwei Yin¹⁰, Zhengyun You²⁰, Boxiang Yu¹⁰, Chiye Yu¹⁸, Chunxu Yu³³, Hongzhao Yu²⁰, Miao Yu³⁴, Xianghui Yu³³, Zeyuan Yu¹⁰, Zezhong Yu¹⁰, Chengzhuo Yuan¹⁰, Ying Yuan¹², Zhenxiong Yuan¹³, Ziyi Yuan³⁴, Baobiao Yue²⁰, Noman Zafar⁶⁶, Andre Zambanini⁵¹, Vitalii Zavadskiy⁶⁷, Shan Zeng¹⁰, Tingxuan Zeng¹⁰, Yuda Zeng²⁰, Liang Zhan¹⁰, Aiqiang Zhang¹³, Feiyang Zhang³⁰, Guoqing Zhang¹⁰, Haiqiong Zhang¹⁰, Honghao Zhang²⁰, Jiawen Zhang¹⁰, Jie Zhang¹⁰, Jingbo Zhang²¹, Jinnan Zhang¹⁰, Peng Zhang¹⁰, Qingmin Zhang³⁵, Shiqi Zhang²⁰, Shu Zhang²⁰, Tao Zhang³⁰, Xiaomei Zhang¹⁰, Xuantong Zhang¹⁰, Xueyao Zhang^{25a,25b}, Yan Zhang¹⁰, Yinhong Zhang¹⁰, Yiyu Zhang¹⁰, Yongpeng Zhang¹⁰, Yuanyuan Zhang³⁰, Yumei Zhang²⁰, Zhenyu Zhang³⁴, Zhijian Zhang¹⁸, Fengyi Zhao²⁶, Jie Zhao¹⁰, Rong Zhao²⁰, Shujun Zhao³⁷, Tianchi Zhao¹⁰, Dongqin Zheng¹⁹, Hua Zheng¹⁸, Minshan Zheng⁹, Yangheng Zheng¹⁴, Weirong Zhong¹⁹, Jing Zhou⁹, Li Zhou¹⁰, Nan Zhou²², Shun Zhou¹⁰, Tong Zhou¹⁰, Xiang Zhou³⁴, Jiang Zhu²⁰, Kangpu Zhu³⁵, Kejun Zhu¹⁰, Zhihang Zhu¹⁰, Bo Zhuang¹⁰, Honglin Zhuang¹⁰, Liang Zong¹³, Jiaheng Zou¹⁰

¹ Yerevan Physics Institute, Yerevan, Armenia

² Université Libre de Bruxelles, Brussels, Belgium

³ Universidade Estadual de Londrina, Londrina, Brazil

⁴ Pontificia Universidade Católica do Rio de Janeiro, Rio, Brazil

⁵ Pontificia Universidad Católica de Chile, Santiago, Chile

⁶ Universidad Técnica Federico Santa María, Valparaiso, Chile

⁷ Beijing Institute of Spacecraft Environment Engineering, Beijing, China

⁸ Beijing Normal University, Beijing, China

⁹ China Institute of Atomic Energy, Beijing, China

¹⁰ Institute of High Energy Physics, Beijing, China

¹¹ North China Electric Power University, Beijing, China

¹² School of Physics, Peking University, Beijing, China

¹³ Tsinghua University, Beijing, China

¹⁴ University of Chinese Academy of Sciences, Beijing, China

¹⁵ Jilin University, Changchun, China

¹⁶ College of Electronic Science and Engineering, National University of Defense Technology, Changsha, China

- 17 Chongqing University, Chongqing, China
- 18 Dongguan University of Technology, Dongguan, China
- 19 Jinan University, Guangzhou, China
- 20 Sun Yat-Sen University, Guangzhou, China
- 21 Harbin Institute of Technology, Harbin, China
- 22 University of Science and Technology of China, Hefei, China
- 23 The Radiochemistry and Nuclear Chemistry Group in University of South China, Hengyang, China
- 24 Wuyi University, Jiangmen, China
- 25 (a) Shandong University, Jinan, China; (b) Key Laboratory of Particle Physics and Particle Irradiation of Ministry of Education, Shandong University, Qingdao, China
- 26 Institute of Modern Physics, Chinese Academy of Sciences, Lanzhou, China
- 27 Nanjing University, Nanjing, China
- 28 Guangxi University, Nanning, China
- 29 East China University of Science and Technology, Shanghai, China
- 30 School of Physics and Astronomy, Shanghai Jiao Tong University, Shanghai, China
- 31 Tsung-Dao Lee Institute, Shanghai Jiao Tong University, Shanghai, China
- 32 Institute of Hydrogeology and Environmental Geology, Chinese Academy of Geological Sciences, Shijiazhuang, China
- 33 Nankai University, Tianjin, China
- 34 Wuhan University, Wuhan, China
- 35 Xi'an Jiaotong University, Xi'an, China
- 36 Xiamen University, Xiamen, China
- 37 School of Physics and Microelectronics, Zhengzhou University, Zhengzhou, China
- 38 Institute of Physics, National Yang Ming Chiao Tung University, Hsinchu, Taiwan
- 39 National United University, Miao-Li, Taiwan
- 40 Department of Physics, National Taiwan University, Taipei, Taiwan
- 41 Faculty of Mathematics and Physics, Charles University, Prague, Czech Republic
- 42 Department of Physics, University of Jyväskylä, Jyväskylä, Finland
- 43 IJCLab, Université Paris-Saclay, CNRS/IN2P3, 91405 Orsay, France
- 44 Univ. Bordeaux, CNRS, CENBG, UMR 5797, 33170 Gradignan, France
- 45 IPHC, Université de Strasbourg, CNRS/IN2P3, 67037 Strasbourg, France
- 46 Centre de Physique des Particules de Marseille, Marseille, France
- 47 SUBATECH, Université de Nantes, IMT Atlantique, CNRS-IN2P3, Nantes, France
- 48 III. Physikalisches Institut B, RWTH Aachen University, Aachen, Germany
- 49 Institute of Experimental Physics, University of Hamburg, Hamburg, Germany
- 50 Nuclear Physics Institute IKP-2, Forschungszentrum Jülich GmbH, Jülich, Germany
- 51 Forschungszentrum Jülich GmbH, Central Institute of Engineering, Electronics and Analytics-Electronic Systems (ZEA-2), Jülich, Germany
- 52 Institute of Physics and Excellence Cluster PRISMA⁺, Johannes-Gutenberg Universität Mainz, Mainz, Germany
- 53 Technische Universität München, Munich, Germany
- 54 Eberhard Karls Universität Tübingen, Physikalisches Institut, Tübingen, Germany
- 55 INFN Catania and Dipartimento di Fisica e Astronomia dell'Università di Catania, Catania, Italy
- 56 Department of Physics and Earth Science, University of Ferrara and INFN Sezione di Ferrara, Ferrara, Italy
- 57 INFN Sezione di Milano and Dipartimento di Fisica dell'Università di Milano, Milan, Italy
- 58 INFN Milano Bicocca and University of Milano Bicocca, Milan, Italy
- 59 INFN Milano Bicocca and Politecnico di Milano, Milan, Italy
- 60 INFN Sezione di Padova, Padua, Italy
- 61 Dipartimento di Fisica e Astronomia dell'Università di Padova and INFN Sezione di Padova, Padua, Italy
- 62 INFN Sezione di Perugia and Dipartimento di Chimica, Biologia e Biotecnologie dell'Università di Perugia, Perugia, Italy
- 63 Laboratori Nazionali di Frascati dell'INFN, Rome, Italy
- 64 University of Roma Tre and INFN Sezione Roma Tre, Rome, Italy
- 65 Institute of Electronics and Computer Science, Riga, Latvia
- 66 Pakistan Institute of Nuclear Science and Technology, Islamabad, Pakistan

- ⁶⁷ Joint Institute for Nuclear Research, Dubna, Russia
- ⁶⁸ Institute for Nuclear Research of the Russian Academy of Sciences, Moscow, Russia
- ⁶⁹ Lomonosov Moscow State University, Moscow, Russia
- ⁷⁰ Faculty of Mathematics, Physics and Informatics, Comenius University Bratislava, Bratislava, Slovakia
- ⁷¹ Department of Physics, Faculty of Science, Chulalongkorn University, Bangkok, Thailand
- ⁷² National Astronomical Research Institute of Thailand, Chiang Mai, Thailand
- ⁷³ Suranaree University of Technology, Nakhon Ratchasima, Thailand
- ⁷⁴ Department of Physics and Astronomy, University of California, Irvine, CA, USA